

**THE FOUNDATIONS OF RADIOCARBON
CHRONOLOGY OF CULTURES BETWEEN
THE VISTULA AND DNEIPER:
4000-1000 BC**

Stanislav N. Bratchenko

Andrzej Bronicki

Ludmila A. Chernykh

Jacek Górski

Marcin Ignaczak

Sławomir Kadrow

Viktor I. Klochko

Aleksander Koško

Nadezhda S. Kotova

Nikolay N. Kovalyukh

Sergey D. Lysenko

Jan Machnik

Przemysław Makarowicz

Virgil Mihăilescu-Bîrliba

Vitaliy V. Otroshchenko

Vladislav H. Petrenko

Sergey V. Polin

Sergey Z. Pustovalov

Sergey N. Sanzharov

Larisa A. Spitsyna

Marzena Szmyt

Katarzyna Ślusarska-Michalik

Dmitriy Y. Telegin

Mihailo Y. Videiko

Igor Yazepenka

Anna Zakościelna

BALTIC-PONTIC STUDIES

V O L U M E 12 • 2003

BALTIC-PONTIC STUDIES
61-809 Poznań (Poland)
Św. Marcin 78
Tel. (061) 8294799; 8294800, Fax (061) 8294788
E-mail: antokol@amu.edu.pl

EDITOR
Aleksander Koško

EDITOR OF VOLUME
Aleksander Koško
Viktor I. Klochko

EDITORIAL COMMITTEE
Sophia S. Berezanskaya (Kiev), Aleksandra Cofta-Broniewska
(Poznań), Mikhail Charniauski (Minsk), Lucyna Domańska (Łódź),
Elena G. Kalechyts (Minsk), Viktor I. Klochko (Kiev), Jan Mach-
nik (Kraków), Vitaliy V. Otroshchenko (Kiev), Marzena Szmyt
(Poznań), Petro Tolochko (Kiev)

SECRETARY
Marzena Szmyt

SECRETARY OF VOLUME
Marcin Ignaczak
Katarzyna Ślusarska-Michalik

ADAM MICKIEWICZ UNIVERSITY
INSTITUTE OF EASTERN STUDIES
INSTITUTE OF PREHISTORY
Poznań 2003
ISBN 83-86094-11-7
ISSN 1231-0344

**THE FOUNDATIONS OF RADIOCARBON
CHRONOLOGY OF CULTURES BETWEEN
THE VISTULA AND DNIEPER:
4000-1000 BC**

Stanislav N. Bratchenko

Andrzej Bronicki

Ludmila A. Chernykh

Jacek Górski

Marcin Ignaczak

Sławomir Kadrow

Viktor I. Klochko

Aleksander Koško

Nadezhda S. Kotova

Nikolay N. Kovalyukh

Sergey D. Lysenko

Jan Machnik

Przemysław Makarowicz

Virgil Mihăilescu-Bîrliba

Vitaliy V. Otroshchenko

Vladislav H. Petrenko

Sergey V. Polin

Sergey Z. Pustovalov

Sergey N. Sanzharov

Larisa A. Spitsyna

Marzena Szmyt

Katarzyna Ślusarska-Michalik

Dmitriy Y. Telegin

Mihailo Y. Videiko

Igor Yazepenka

Anna Zakościelna

BALTIC-PONTIC STUDIES

V O L U M E 12 • 2003

© Copyright by B-PS and Authors
All rights reserved

Cover Design: Eugeniusz Skorwider

Linguistic consultation: Ryszard J. Reisner

Printed in Poland

Computer typeset by PSO Sp. z o.o. w Poznaniu

Druk i oprawa: Zakład Poligraficzny Antoni Frąckowiak w Poznaniu

CONTENTS

| | |
|---|-----|
| EDITORS' FOREWORD | 5 |
| PART I. THE ENEOLITHIC — BALKAN CULTURAL CIRCLE | 7 |
| Mihailo Y. Videiko, RADIOCARBON CHRONOLOGY OF SETTLEMENTS OF BII AND CI STAGES OF THE TRIPOLYE CULTURE AT THE MIDDLE DNIEPER | 7 |
| Andrzej Bronicki, Sławomir Kadrow, Anna Zakościelna, RADIOCARBON DATING OF THE NEOLITHIC SETTLEMENT IN ZIMNE, VOLHYNIA, IN LIGHT OF THE CHRONOLOGY OF THE LUBLIN-VOLHYNIA CULTURE AND THE SOUTH-EASTERN GROUP OF THE FUNNEL BEAKER CULTURE | 22 |
| Aleksander Koško, RADIOCARBON CHRONOLOGY OF THE MAŃWY GROUP OF THE FUNNEL BEAKER CULTURE. THE QUESTION OF CHRONOLOGICAL AND CULTURAL POSITION OF „LINEAR-COMB POTTERY” | 67 |
| Virgil Mihăilescu-Bîrliba, Marzena Szmyt, RADIOCARBON CHRONOLOGY OF THE MOLDAVIAN (SIRET) SUBGROUP OF THE GLOBULAR AMPHORA CULTURE .. | 82 |
| PART II. THE ENEOLITHIC AND EARLY AND MIDDLE BRONZE AGE — NORTHERN PONTIC CULTURAL CIRCLE | 113 |
| Mihailo Y. Videiko, Vladislav H. Petrenko, RADIOCARBON CHRONOLOGY OF COMPLEXES OF THE ENEOLITHIC - EARLY BRONZE AGE IN THE NORTHERN PONTIC REGION, A PRELIMINARY REPORT | 113 |
| Nadezhda S. Kotova, Larisa A. Spitsyna, RADIOCARBON CHRONOLOGY OF THE “MIDDLE” LAYER OF THE MIKHAILIVKA SETTLEMENT | 121 |
| Dmitriy Y. Telegin, Sergey Z. Pustovalov, Nikolay N. Kovalyukh, RELATIVE AND ABSOLUTE CHRONOLOGY OF YAMNAYA AND CATACOMB MONUMENTS THE ISSUE OF CO-EXISTENCE | 132 |
| Stanislav N. Bratchenko, RADIOCARBON CHRONOLOGY OF THE EARLY BRONZE AGE OF THE MIDDLE DON. SVATOVE, LUHANSK REGION | 185 |
| Victor I. Klochko, Sergey N. Sanzharov, RADIOCARBON DATING OF EARLY AND MIDDLE BRONZE AGE RELICS OF THE SIVERSKY DONETS (LUHANSK REGION). A PRELIMINARY REPORT | 209 |
| PART III. CORDED POTTERY HORIZON | 212 |
| Jan Machnik, AN INTERRUPTED PROCESS OF CULTURAL INTEGRATION BETWEEN THE UPPER BUG, VISTULA AND DNIESTER RIVERS IN THE EARLY SECOND HALF OF THE THIRD MILLENNIUM BC (IN LIGHT OF TAXONOMIC AND CHRONOLOGICAL ANALYSES OF GRAVE ASSEMBLAGES ON GRZĘDA SOKALSKA) | 212 |

| | |
|---|-----|
| Sławomir Kadrow, ABSOLUTE CHRONOLOGY OF THE MIDDLE DNIEPER CULTURE BETWEEN THE UPPER BUG, VISTULA AND DNIESTER RIVERS | 241 |
| Igor Yazepenka, Aleksander Koško, RADIOCARBON CHRONOLOGY OF THE BEAKERS WITH SHORT-WAVE MOULDING COMPONENT IN THE DEVELOPMENT OF THE MIDDLE DNIEPER CULTURE | 247 |
| PART IV. TRZCINIEC CULTURAL CIRCLE HORIZON | 253 |
| Jacek Górski, Sergey D. Lysenko, Przemysław Makarowicz, RADIOCARBON CHRONOLOGY OF THE TRZCINIEC CULTURAL CIRCLE BETWEEN THE VISTULA AND DNIEPER BASINS | 253 |
| PART V. THE LATE BRONZE AGE — NORTHERN PONTIC CULTURAL CIRCLE | 307 |
| Ludmila A. Chernykh, Sergey V. Polin, Vitaliy V. Otroshchenko, RADIOCARBON CHRONOLOGY OF MONUMENTS OF THE BEREZHNOVKA-MAEVKA SRUBNAYA CULTURE NEAR THE TOWN OF ORDZHONIKIDZE | 307 |
| Vitaliy V. Otroshchenko, RADIOCARBON CHRONOLOGY OF THE BILOZERKA CULTURE — BASED ON BARROWS NEAR THE VILLAGE OF ZAPOVITNE (THE “STEPNOY”CEMENTERY) | 336 |
| Katarzyna Ślusarska-Michalik, RADIOCARBON CHRONOLOGY OF THE “HORDEEVKA TYPE” | 365 |
| PART VI. URNFIELD HORIZON (LUSATIAN CULTURE) AND NORTHERN PONTIC CULTURAL CIRCLE | 382 |
| Marcin Ignaczak, Katarzyna Ślusarska-Michalik, THE RADIOCARBON CHRONOLOGY OF THE URNFIELD COMPLEX AND THE DATING OF CULTURAL PHENOMENA IN THE PONTIC AREA (LATE BRONZE AGE AND EARLY IRON AGE) | 382 |
| CONCLUSION | 396 |
| Viktor I. Klochko, Aleksander Koško, Marzena Szmyt, A COMPARATIVE CHRONOLOGY OF THE PREHISTORY OF THE AREA BETWEEN THE VISTULA AND DNIEPER: 4000-1000 BC | 396 |
| References | 415 |
| List of Authors | 456 |

Editor's Foreword

This volume of the *Baltic-Pontic Studies* is a record of investigations carried out under the research project begun earlier in vol. 7 ("The Foundations of radio-carbon chronology of cultures between the Vistula and Dnieper: 3150-1850 BC", Poznań 1999). Here, the approach is broader in terms of chronology and culture. Our purpose has been to fill taxonomic gaps hitherto present in the discussion (supplementing the dating of cultures, groups or phases) or reanalyze the grounds for findings considered particularly controversial. In the latter case, a very enlightening debate was provoked by the comparative chronology of the Yamnaya and Catacomb cultures presented by A.N. Nikolova. We hope that a large series of ^{14}C dates and a revision of the foundations of "archaeological knowledge" (stratigraphy, typochronology and groups of co-occurrence of traits), brought together in the paper by D.Y. Telegin, S.Z. Pustovalov, N. Kovalyukh, lay the ground for a stabilization of views on this important dividing line in the chronology of the Bronze Age in the Pontic zone.

A vast majority of the new ^{14}C dates have been obtained under an international research project financed by the Polish Committee for Scientific Research.

Editorial comment

1. All dates in the B-PS are calibrated [BC; see: Radiocarbon vol.28, 1986, and the next volumes]. Deviations from this rule will be point out in notes [bc].
2. The names of the archaeological cultures and sites are standarized to the English literature on the subject (e.g. M. Gimbutas, J. P. Mallory). In the case of a new term, the author's original name has been retained.
3. The spelling of names of localities having the rank of administrative centres follows official, state, English language cartographic publications (e.g. *Ukraine, scale 1 : 2 000 000*, Kiev: Mapa LTD, edition of 1996; *Rèspublika BELARUS', REVIEW-TOPOGRAPHIC MAP*, scale 1:1 000 000, Minsk: BYELORUSSIAN CARTOGRAPHIC AN GEODETIC ENTERPISE, edition 1993).

Nadezhda S. Kotova, Larisa A. Spitsyna

RADIOCARBON CHRONOLOGY OF THE “MIDDLE LAYER” OF THE MIKHAILIVKA SETTLEMENT

The multi-layer settlement at the village of Mikhailivka of the Kherson region was excavated in 1953-1961 [Lagodovska, Shaposhnikova, Makarevich 1962] (Fig. 1). It includes layers of developed Eneolithic (lower layer), late Eneolithic — Early Bronze (middle layer) and the Early Bronze Age (upper layer). Materials of the middle layer of that settlement rise interest among a broad circle of researchers. Let us briefly outline the key views.

Authors of the excavations identified the middle layer of the settlement as belonging to the early stage of the Yamnaya culture, and synchronized it with monuments of Tripolye CII, based on fragments of imported vessels from a house in the lower horizon, as well as on bi-conical ornamented distaffs [Lagodovska, Shaposhnikova, Makarevich 1962:187].

D.Y. Telegin included the middle layer of the Mikhailivka with the early Yamnaya layer of Aleksandria and the Repin Khutor, referring then to the middle or early part of the second half of 3000 bc [Telegin 1973:128]. Later on, he reconsidered the dates and included the early Yamnaya monuments together with Tripolye culture and the Funnel Beaker Culture within the second quarter to middle 3000 bc [Telegin 1992b:5; 1993:19-20].

V.N. Danilenko singled out the Mikhailivka period of development of the Old Yamnaya Culture and referred it to the end of 3000 bc [Danilenko 1974:86].

A.V. Nikolova, studying burial monuments of the Yamnaya culture, synchronized the Repin Khutor and the middle layer of Mikhailivka with the earliest of them (like Bykove 2, 2/3), having set their date as 27-25 (24) centuries bc [Nikolova 1992].

A.T. Sinyuk viewed the middle layer of Mikhailivka within the Repin Eneolithic culture and set its dates to the range from the middle of 3000 bc to the edge of 3000 and 2000 bc [Sinyuk 1981].



Fig. 1. The Mikhailivka, Kherson Region, settlement 1. Location of the site.

V.A. Trifonov, using calibrated dates, synchronized the middle layer of the Mikhailivka settlement with the emergence of the Repin culture in the Lower Don, and set its dates to 3350-3000 BC [Trifonov 1996]. In his opinion, the middle layer of Mikhailivka is somewhat younger than the Tripolye CII monuments, the Konstantinovka culture and settlements of the Maykop culture (Galiugai 1 and 3, Bolsheteginske etc.), as well as graves of the kind of Maykop and monuments like Novosvobodna.

According to the brief historical outline, researchers do not have a common view on relative and absolute chronology of the middle layer of Mikhailivka. We have processed numerous materials of the collection, notebooks and fieldwork reports, and took new radiocarbon data for that monument. Comparison of its materials with materials of surrounding cultures and radiocarbon chronology of monuments of Eneolithic — Bronze Age of Eastern Europe allows more precise synchronization and chronology of the middle layer of Mikhailivka.

1. STRATYGRAPHY OF THE MIKHAILIVKA SITE AND LIST OF C14 DATINGS

Let us briefly address the stratigraphy of the monument. In general, the geological section of the settlement was as follows:

- black earth, 0.2-0.5 m thick;
- grey loamy soil with inclusion of humus, about 1 m thick;
- light-grey loam;
- line-stone below it.

Archaeological materials lay in the black earth and the loamy soil with humus. Pits that served as foundations of the huts could be traced in the layer of light-grey loam. The excavations of the monument were done within 100-meter square boxes that were numbered with Latin figures. Each of the 100-meter square was divided into 25 4-meter squares that were numbered with Arabic figures. The bones for radiocarbon chronology were taken from squares (a) XXXII and (b) LII (Table 1). The research allowed assuming the following stratigraphical observations for those squares [see Lagodovska, Shaposhnikova, Makarevich 1962].

a. In the 100-meter square XXXII the black earth layer was up to 1 m thick. It contained two horizons: the proper black earth horizon that lay from 0.05 m to 0.7 m deep, and black earth with ashes at the depth from 0.5-0.7 m to 0.9-1.3 m. Materials of the upper layer of the settlement were found in both horizons.

Under the black earth with ashes there was a layer of light-grey loam with ashes. At the point where the two layers met, at the depth of 1.05-1.13 m from the surface — and in the southern part of 100-meter square XXXII at the depth of about 1.5 m — there was a layer of baked clay. It is believed to be connected to the remainders of hut no.1 on the surface of the upper horizon of the middle layer.

The lower strata, according to drawings and materials in that square, was located in the middle part of the layer of loam with ashes. The lower part of the loam became light-brown as a result of an ancient fire. In that burnt layer the researchers traced a trough-like cavity of hut no. 2, linked to the lower horizon of the middle layer. In general, the materials of the lower horizon were found 1.85-2.06 m deep.

Below there was dark burnt loam-soil. Below it, from the depth of 2.2 m, the researchers studied the lower horizon that had been caught by fire and the hut of the lower layer.

The radiocarbon date was taken from a bone tool no. 3752 from the lower horizon of the middle layer in square 14 at 2.06 m deep – 4710±80 BP. Nearby there were ceramic objects as shown in Fig. 2.

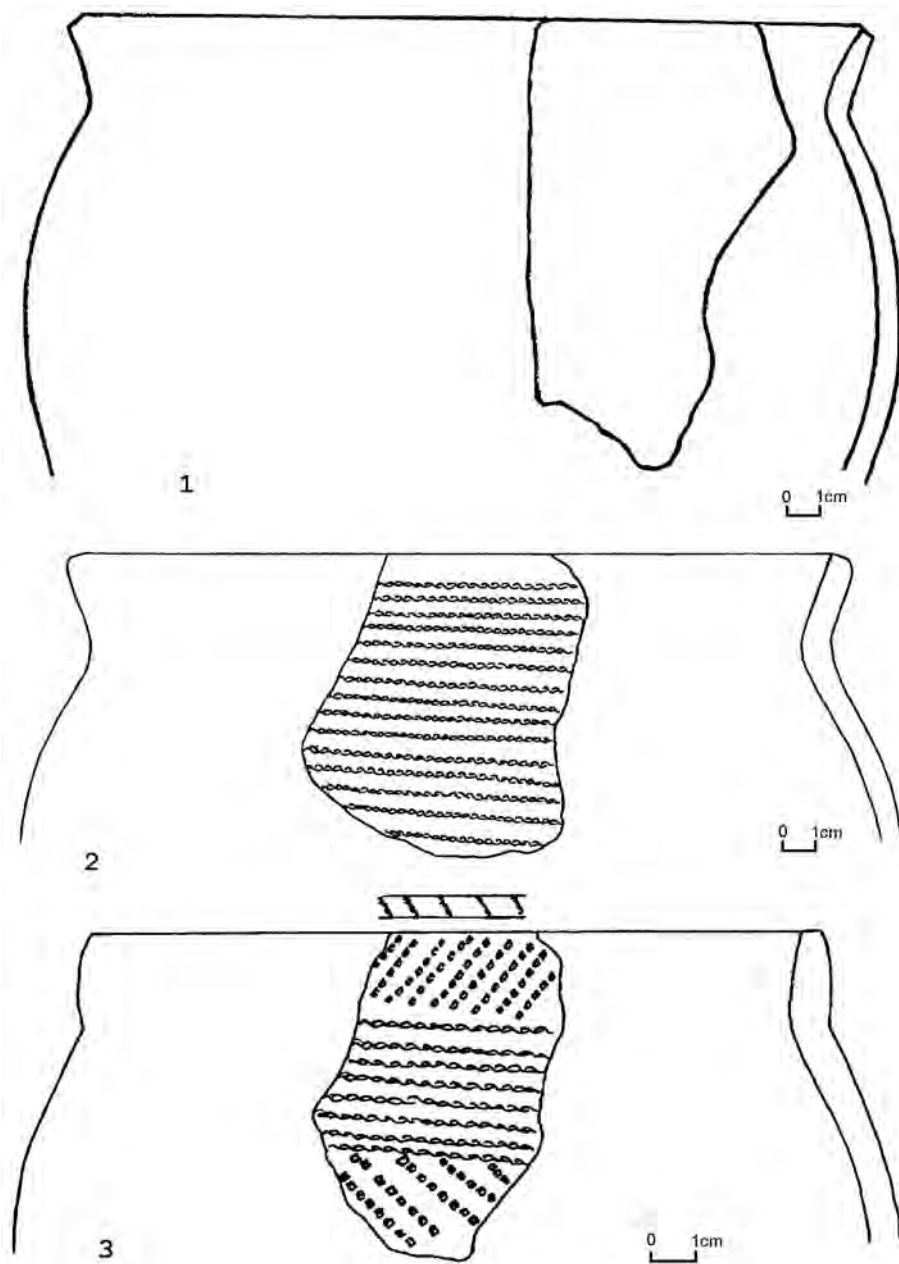


Fig. 2. Ceramics of the middle layer of Mikhailivka

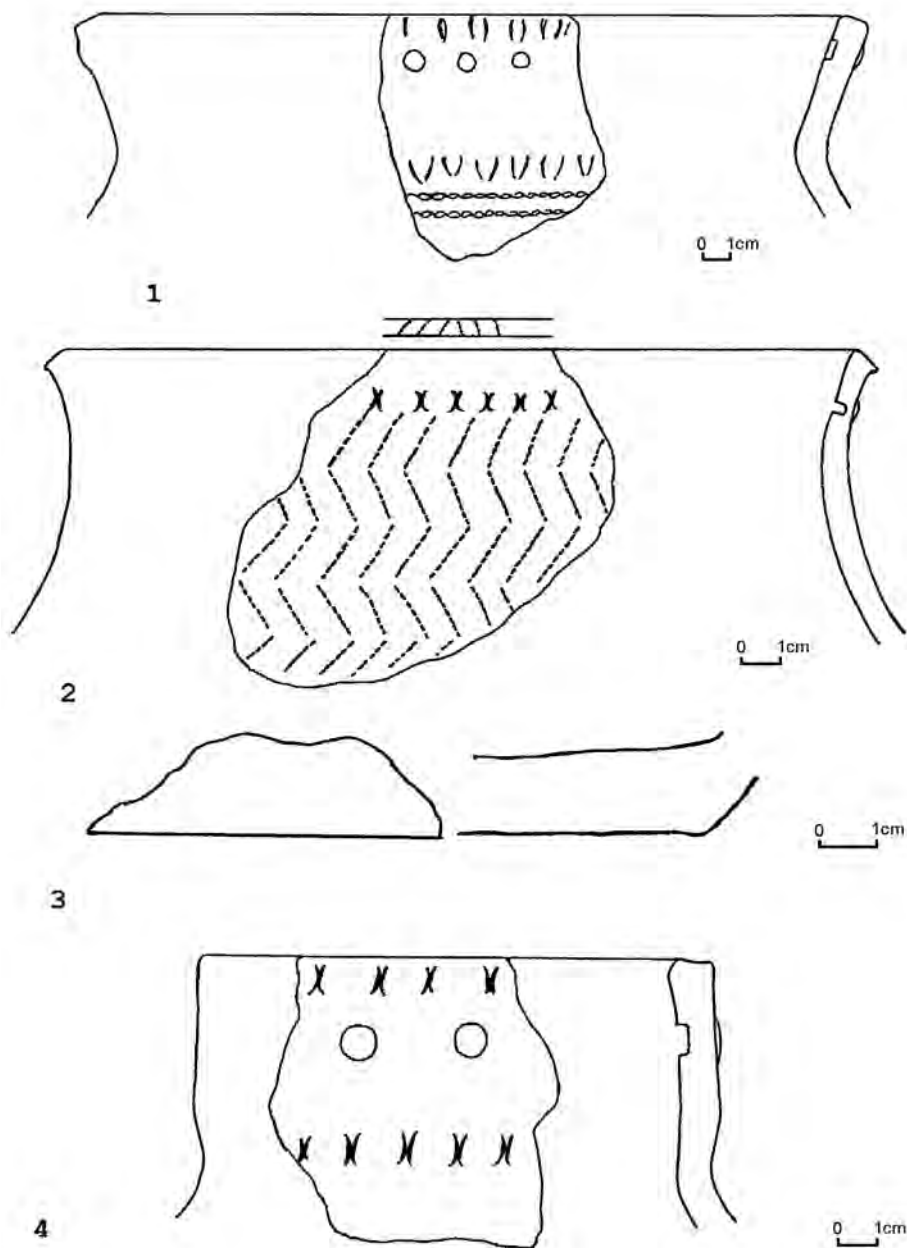


Fig. 3. Ceramics of the middle layer of Mikhailivka

Radiocarbon Dates of Monuments of the Late Eneolithic Early Bronze (by bone)

| Cultures, sites, samples | Lab. No. | BP | BC* | References |
|--|----------|----------|----------|------------------------|
| Mikhailivka | | | | |
| Mikhailivka, square XXXII, 14, depth 2.06 m | Ki-8012 | 4710±80 | 3483±103 | |
| Mikhailivka, square LII, 17, depth 1.08-1.26 m | Ki-8186 | 4480±70 | 3180±128 | |
| Mikhailivka, square LII, 17, depth 1.08-1.26 m | Ki-8010 | 4570±80 | 3236±137 | |
| Repin culture | | | | |
| Podgorovka, third layer | Ki-7843 | 4560±50 | 3234±106 | Manko, Telizhenko 2002 |
| Podgorovka, third layer | Ki-7841 | 4370±55 | 2972±67 | Manko, Telizhenko 2002 |
| Podgorovka, third layer | Ki-7842 | 4330±50 | 2984±58 | Manko, Telizhenko 2002 |
| Maykop Culture | | | | |
| Galiugai 3 | OxA-3779 | 4980±120 | 3787±126 | Korenevskiy 1993 |
| Galiugai 1 | OxA-3778 | 4650±80 | 3463±128 | Korenevskiy 1993 |
| Galiugai 1 | OxA-3777 | 4530±70 | 3220±114 | Korenevskiy 1993 |
| Zamankul 1/70 | GIN-8034 | 4820±70 | 3599±83 | |
| Zamankul 2/60 | GIN-8424 | 4670±35 | 3430±58 | |
| Novosvobodnaya type | | | | |
| Novosvobodnaya 11/50 | OxA-5059 | 4835±60 | 3605±75 | Rezepkin 1996 |
| Novosvobodnaya 11/55 | OxA-5061 | 4765±60 | 3566±85 | Rezepkin 1996 |
| Novosvobodnaya 11/43 | OxA-5058 | 4675±70 | 3447±96 | Rezepkin 1996 |
| Novosvobodnaya 11/48 | OxA-5060 | 4665±60 | 3434±81 | Rezepkin 1996 |

* Weninger 1993

b. Precise stratigraphy, according to the authors of the excavations, can be clearly traced in square LII. In its north-western part, in the black soil — an ash layer under an ask-like smear there was a pile of *Unio* shells (about 8 sq. m. in size), in which animal bones were found.

Below, in light-yellow loam at the depth of 0.9-1.1 m there were materials of the upper horizon of the middle layer. At 1.08-1.26 m there was a floor of hut no. 7 of the upper horizon of the middle layer. A bone from that horizon was dated back to — 4480±70 BP (Ki-8186), 4570±80 BP (Ki-8010). A vessel was found nearby (Fig. 3:1-3).

The lower horizon includes materials that lay at 1.6-2.24 m from the bench-mark. The floor of hut no. 8 that belonged to the lower horizon of the middle layer of the settlement was found at 1.8 m below the bench-mark.

2. RADIOCARBON CHRONOLOGY AND CULTURAL CONTEXT

Investigation of materials of the lower and upper horizons of the middle layer of the Mikhailivka settlement showed typological uniformity of their ceramics. The vessels of those horizons represent the same kinds of technological process, shapes and ornamentation. Notwithstanding the stratigraphic differentiation between the two horizons within the middle layer, it is impossible to divide the ceramics typologically into distinct types. Materials of the middle layer of the Mikhailivka settlement demonstrate the development of the same culture group of an ancient population within a long period of time, within which a 60-70 cm strong culture layer emerged. That group of population, probably, populated the central hill of the monument twice. Interestingly, the second settlement showed a change in housing constructions: slightly dug-in huts are substituted with huts that stood entirely on the surface. However, pottery traditions remained unchanged. It should be noted that the period between the first and the second population of the site was not long, for the upper horizon lies immediately on the lower one. Another argument in favour of a short break between the settlements on the site is the location of the huts in the same part of the site. The huts had been built in the same ancient narrow gully almost one after the other. Nowadays, judging from the radiocarbon dates, the middle layer of Mikhailivka can be referred to about 4750- 4350 BP (3500-3100 BC). It is possible, however, that it had existed for a longer period of time, which is suggested by a thicker cultural layer.

Traditionally, materials from the middle layer of Mikhailivka are referred to the early period of the Yamnaya culture and are classed in the same group as monuments of the Khutor Repin type [Lagodovska, Shaposhnikova, Makarevich 1962; Telegin 1973]. Less often they have been regarded — together with the Khutor Repin — as part of the Repin culture [Sinyuk 1981]. The investigation of the materials showed a difference between the middle layer of Mikhailivka and its analogues in the Dnieper region from monuments of the Khutor Repin type that had occupied the basin of the Don and the Siversky Donets rivers [Spitsyna 2000; Sanzharov 2000]. The population that left the middle layer Mikhailivka had built dug-in huts that have not been found so far in the area of the Repin culture. Their ceramics are also different. For the Repin culture, a typical kind of vessels would be with a spherical bottom; in the middle layer of Mikhailivka there are both spherical-bottomed and flat-bottomed vessels (Fig. 3:3). Apart from ceramics with flute-shaped neck, typical for the Repin culture, dwellers of the steppe Dnieper Region made smoothly-shaped pots (Fig. 3:2) and vessels with inward- lowered necks (Fig. 3:4) that have not been found in the Repin monuments.

Certain differences can be traced in ornamentation as well. The most typical for vessels from the middle layer of Mikhailivka is ornamentation with a cord (Fig.

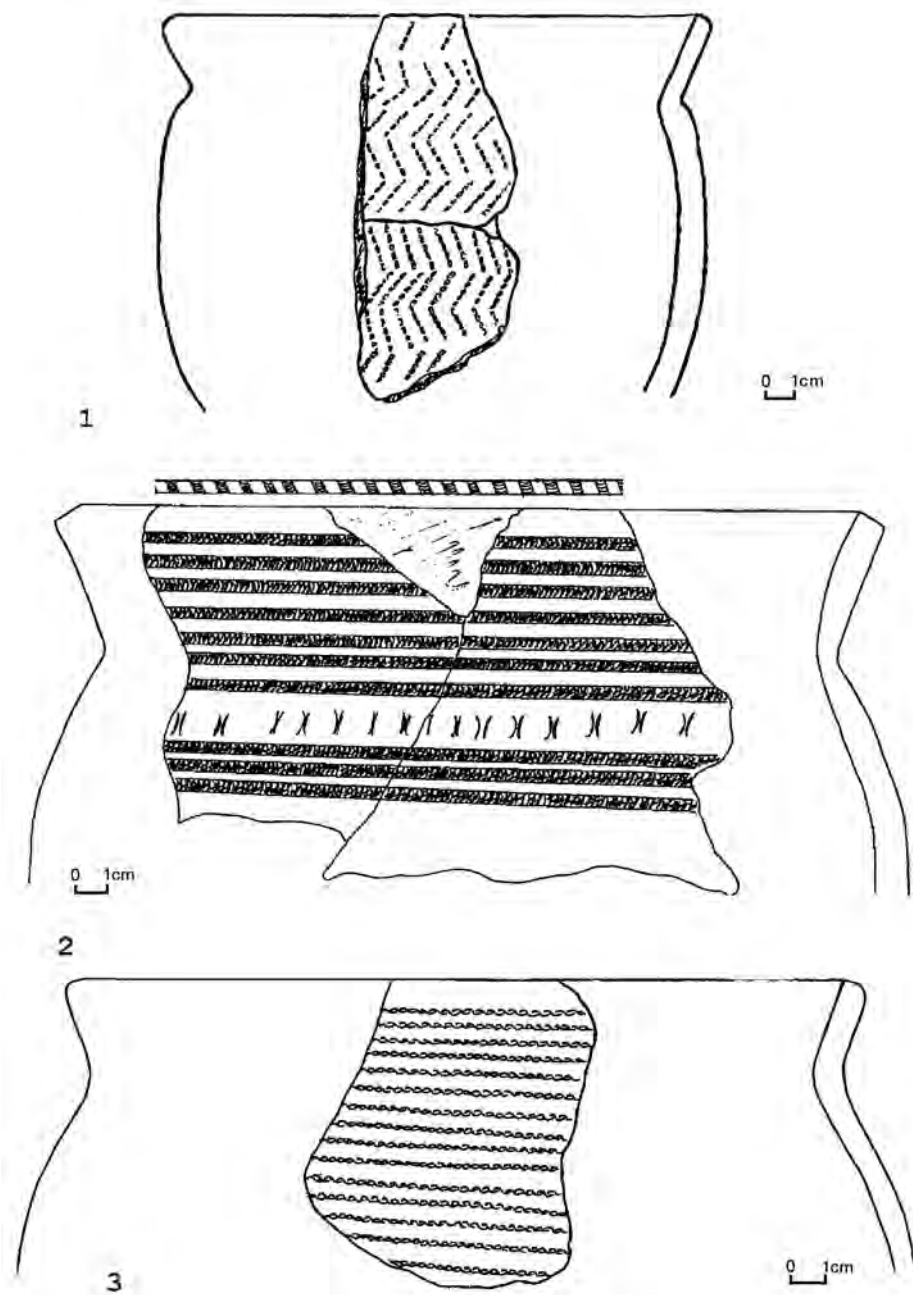


Fig. 4. Ceramics of the middle layer of Mikhailivka

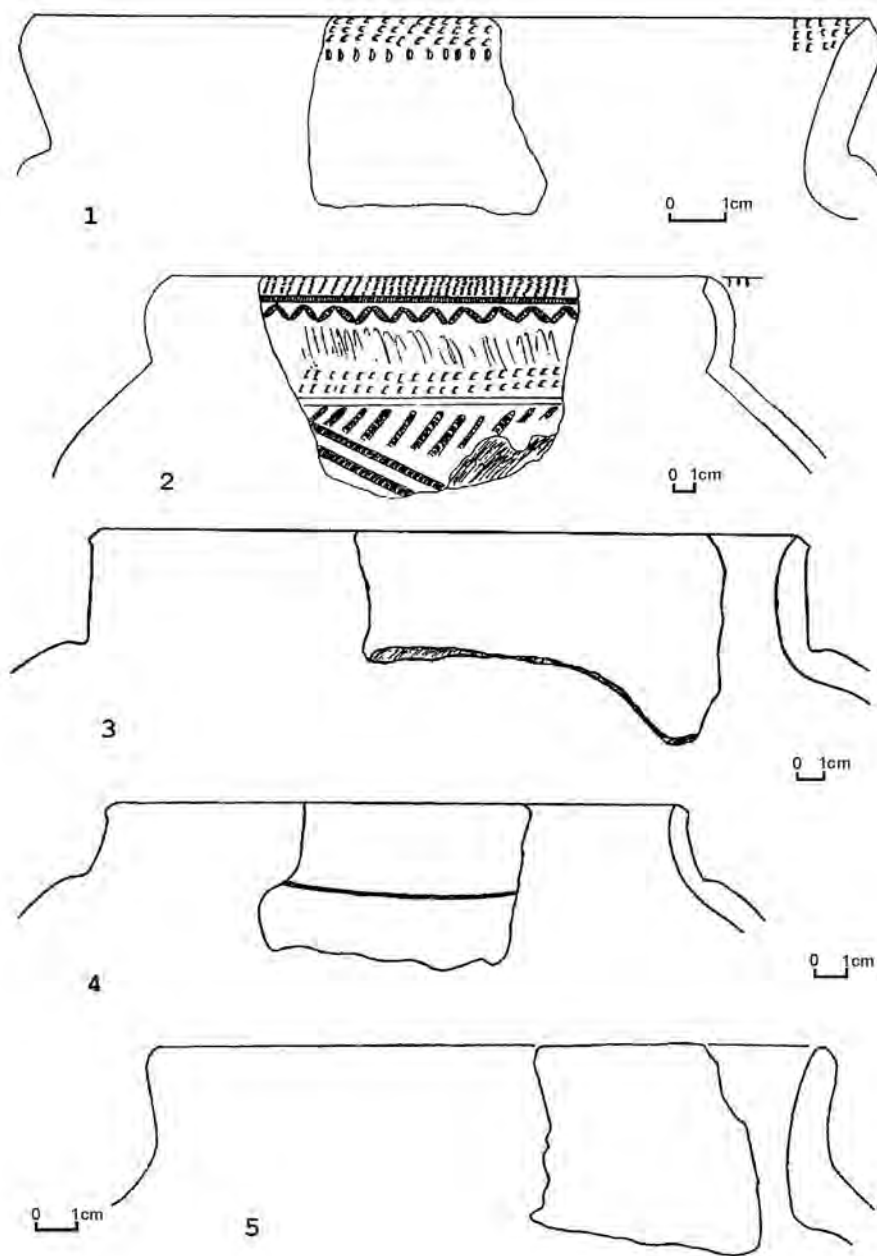


Fig. 5. Ceramics of the middle layer of Mikhailivka

2:2; 4:3); the second most typical pattern is comb-shaped impressions (Fig. 3:2; 4:1). There are also pearls with holes plastered with clay from the inside. From the outside their shape was often changed with the help of nips (Fig. 3:2). Smooth shaping of a major proportion of vessels from the middle layer of Mikhailivka determined location of ornamentation as one “belt” of repeated elements (fish-bone and horizontal lines). In the Repin vessel the most frequent patterns are comb impressions; the pearls were not plastered with clay from the inside; and from the outside, in most of the cases, their shape was not changed with nips. The ornament compositions of the pots that had a sharp turn from the neck to the body consistent, predominantly, of three zones — ornament of a groovy neck, ornament of a sharp turn to a shoulder, and ornament of a shoulder).

However, notwithstanding the traced specifics of the ceramics, it is possible to synchronize the middle layer of Mikhailivka and monuments of the Repin culture. The proof of that is the finds of ceramics in the middle layer of Mikhailivka. The ceramics were identical to the Repin vessels in terms of shape (groove-shaped neck), admixtures (shell) and ornamentation (complex compositions, pearls with unchanged shapes) (Fig. 5:1, 2). Probably, they were imports. Synchronization can be supported with a few radiocarbon dates from settlements of the late Eneolithic — Bronze from the basin of the Siverskiy Donets [Manko, Telizhenko 2002a]. For instance, the Podgorovka settlement in the basin of the Aidar river produced dates for the layer of the Repin culture: 4560±50 BP (Ki-7843), 4370±55 BP (Ki-7841), 4330±50 BP (Ki-7842).

Materials from the middle layer of Mikhailivka may be also partly synchronized with monuments of the type of Maykop and Novosvobodnaya in the Northern Caucasus [Korenevsky 1993; Rezepkin 1996]. For them a series of dates was produced (Table 1), that referred their existence to about 4950-4500 BC. A number of vessels from the middle layer of Mikhailivka have shapes that resemble Maykop ceramics (Fig. 5:3-5). Probably, such shapes of pots emerged in the steppe Dnieper region under the influence of traditions of the Northern Caucasus population.

For a long period of time the middle layer of Mikhailivka was synchronized with the Tripolye CII based on finds of fragments of Tripolye painted ceramics in a hut of the lower horizon of the middle layer [Lagodovska, Shaposhnikova, Makarevich 1960]. However, to date there has been a major series of dates obtained for the Tripolye CII, suggesting that they belong to the period about 4100-4500 BP [Videiko 1999; Radiocarbon. . . in this volume]. Those dates require that the lower horizon of the middle layer Mikhailivka be synchronized with Tripolye CI. The study of Tripolye imported vessels from the hut in the middle layer of Mikhailivka showed that analogy to it can be found in monuments of the Koshylivtsy group of the Tripolye culture (period CI). Probably, the upper horizon of the middle layer is synchronous with the beginning of Tripolye culture.

Further study of materials of the multi-layer settlement of Mikhailivka and its analogies in the steppe Ukraine will allow more precise identification of the time of existence of its cultural layers.

Translated by Inna Pidluska

ABBREVIATIONS

| | |
|--------------|--|
| AAC | – Acta Archaeologica Carpathica, Kraków |
| Annales UMCS | – Annales Universitatis Mariae Skłodowska-Curie, Lublin |
| AP | – Archeologia Polski, Warszawa |
| APŚ | – Archeologia Polski Środkowoschodniej, Lublin |
| BerRGK | – Bericht der Römisch-Germanischen Kommission, Mainz |
| BPS | – Baltic-Pontic Studies, Poznań |
| BSA | – Annales of the British School of Archaeology at Athens |
| JIES | – The Journal of the Indo-European Studies, Washington D.C. |
| KSIA | – Kratkiye soobshcheniya Instituta Archeologii, Moskva |
| MANH | – Materiały Archeologiczne Nowej Huty, Kraków |
| NA IA NAN | – Nauchnyy Arkhiv Instituta Arkheologii Natsionalnoy Akademii Nauk Ukrainy, Kiev |
| PA | – Przegląd Archeologiczny, Wrocław |
| PBF | – Prähistorische Bronzefunde, München |
| PZP | – Prahistoria ziem polskich, Wrocław-Warszawa-Kraków-Gdańsk |
| RA | – Rossiyskaya Arkheologiya, Moskwa |
| SA | – Sovetskaya Arkheologiya, Moskwa |
| SIA | – Slovenska Archeologia, Bratislava |
| SPA | – Sprawozdania Archeologiczne, Kraków |
| WA | – Wiadomości Archeologiczne, Warszawa |

REFERENCES

Agulnikov S.

1996 Necropola culturii Belozerka de la Cazaclia. *Bibliotheca Thracologica XIV*: 3-119. Bucureşti.

1999 Novye komplekсы katakombnoy kultury iz Nizhnego Podnestrovyia. *Starozhitnosti Pivnichnogo Prichernomor'ya i Krymu 7*: 118-132. Zaporizhzhia.

Agulnikov S.M., S.I. Kurchatov

1994 Kurgan belozerskogo vremeni u s. Khadzhidar v Nizhnem Podnestrove. In: *Tezisy dokladov Mezhdunarodnoy konferentsii "Problemy skifo-sarmatskoy arkheologii Severnogo Prichernomor'ya"*, 4 - 7. Zaporizhzhia.

Androsov A.V., I.I. Yaremenko, D.V. Martyushchenko

1990 Kurgany epokhi eneolita – bronzovogo veka Kamenskogo polya. In: *Issledovaniya po arkheologii Podneprov'ya*, 4-22. Dnipropetrovsk.

Artemenko I.I.

- 1964 Neolitieskie stayanki i kurgany epokhi bronzы bliz s. Khodosovichi, Gomejskoy obl. BSRR. In: *Pamyatniki kamennogo i bronzovogo vekov Evrazii*, 31-67. Moskva.
- 1967 Plemena verkhnego i srednego Padneprovya v epokhu bronzы. Moskva.
- 1987 Srednedneprovskaya kultura. In: *Epokha bronzы lesnoy polosy SSSR*, 37-42. Moskva.

Aulich V.

- 1972 *Zimnivske gorodishche – slovyanska pamyatka VI-VII st. v Zachidniy Volyni*. Kiev.

Babenko R.V., S.D Lysenko

- 2001 Mogilnik epokhi bronzы Velikaya Bugaevka (materialy iz raskopok 2000 g.). In: *Arkheologichni vidkryttya v Ukraini 1999-2000 rr.*, 69-72. Kiev.
- 2002 Mogilnik epokhi bronzы Velikaya Bugaevka (materialy iz raskopok 2001 g.). In: *Arkheologichni vidkryttya v Ukraini 2000-2001 rr.*, 86-89. Kiev.

Bagińska J.

- 1988 Cmentarzysko kurhanowe kultury ceramiki sznurowej w Łubczu, stan. 24, gm. Jarczów, woj. zamojskie. *Sprawozdania z badań terenowych w województwie zamojskim w 1988 roku*, 5-6. Zamość.
- 1989 Kurhan kultury ceramiki sznurowej w Werszczycy, gm. Jarczów, stan. 29. *Sprawozdania z badań terenowych w województwie zamojskim w 1989 roku*, 12-13. Zamość.
- 1990 Kurhan KCSz - stanowisko nr 30 w Werszczycy, gm. Jarczów. *Sprawozdania z badań terenowych w województwie zamojskim w 1990 roku*, 20-23. Zamość.
- 1991 Cmentarzysko KCSz na Grzędzie Sokalskiej – stan. 16 w Łubczu. *Sprawozdania z badań terenowych w województwie zamojskim w 1991 roku*, 5-7. Zamość.
- 1992 Cmentarzysko kurhanowe KCSz na Grzędzie Sokalskiej – stanowisko 25 w Nedeżowie, gm. Jarczów. *Sprawozdania z badań terenowych w województwie zamojskim w 1992 roku*, 9-10. Zamość.
- 1996 Kurhan kultury ceramiki sznurowej o stratygraficznym układzie grobów z Nedeżowa w woj. zamojskim na Grzędzie Sokalskiej. *SPA* 48: 59-66.
- 1996a Badanie kurhanu w Łubczu, stan. 38, gm. Jarczów. *APŚ* 1: 31-33.
- 1997 Cmentarzysko kurhanowe kultury ceramiki sznurowej na Grzędzie Sokalskiej – stanowiska: Łubcze 37, Werszczyca 1, *APŚ* 2: 45-52.
- 1997a Groby kultury mierzanowickiej na Grzędzie Sokalskiej. *SPA* 49: 191-206.
- 1998 Badania kurhanu kultury ceramiki sznurowej na Grzędzie Sokalskiej w Hubinku, stan. 4, woj. zamojskie. *APŚ* 3: 69-77.
- 1999 Badania kurhanów kultury ceramiki sznurowej na Grzędzie Sokalskiej – kurhan nr 3 na stan. 25 w Łubczu, pow. Tomaszów. *APŚ* 4: 57-66.

Bagińska J., J. Machnik

2003 Wyniki ratowniczych badań zniszczonego kurhanu na stanowisku 31 w Werszczyca, pow. Tomaszów Lubelski na Grzędzie Sokalskiej. Wyodrębnienie grupy sokalskiej kultury ceramiki sznurowej. *APŚ* 6: 38-57.

Bell M., M. Fletcher, G. Lock

1990 The Application of Monte Carlo Methods in Archaeology. In: J. Wiltowski (Ed.) *New Tools from Mathematical Archaeology*, 69-76. Kraków.

Belyaev A.S., A.V. Simonenko, S.V. Polin, A.I. Zagrebelniy

1983 *Otchet Peschanskogo otryada Cherkasskoy ekspeditsii o raskopkakh kurganov v zone stroitelstva Prokhorovskoy orositelnoy sistemy (s. Bubnovaya Slobodka, Zolotonoshskogo rajona, Cherkasskoy oblasti)*. NA IA NANU: 1983/25; F.E.: 20840-20843. Kiev.

Berezanskaya S.S.

1972 *Sredniy period bronzovogo veka v Severnoy Ukraine*. Kiev.

1974 *Pustynka – poselenie epokhi bronzы na Dnepre*. Kiev.

1982 *Severnaya Ukraina v epochu bronzы*. Kiev.

1985 Belogradovskaya kultura. In: *Arkheologiya Ukrainskoy SSR* 1: 499-512. Kiev.

1999 Mogilnik epokhi bronzы Gordeevka na Yuzhnom Buge. *SA* 4: 148-153.

Berezanskaya S. S., V.I. Kločko

1998 *Das Gräberfeld von Hordeevka*. Rahden/Westf.

Berezanskaya S. S., B.I. Lobay

1994 Kurganniy mogilnyk bronzovoy doby poblyzu s. Gordiyvka na Pivdennomu Buzi. *Arkheologiya* 4: 140-153.

Berezanska S.S., V. Samolyuk, H. Taras

2003 Cmentarzysko kurhanowe kultury trzcinięckiej z okolic Netiszyna na Wołyniu. *APŚ* 6: 258-288.

Berezanskaya S.S., O.G. Shaposhnikova

1957 Rec: T.B. Popova, Plemena katakombnoy kultury. *SA* 2: 271-272.

Besedin V.I.

1999 O novykh absolyutnykh datakh predsrbnogo perioda. *Istoricheskie zapiski. Nauchnye trudy istoricheskogo fakulteta Voronezhskogo gosudarstvennogo universiteta* 4: 189-97. Voronezh.

Bidzilya V.I., V.V. Otroshchenko

1974 *Otchet o raskopkakh kurganov u sel Zlatopol, Balki, Shmalki i h. Dneprodnoe Zaporozhskoy oblasti v 1974 g.* NA IA NANU: 1974/10.

Blajer W.

1998 Przyczynek do dyskusji o znaczeniu metalurgii brązu w zachodnim odłamie kultury trzcinięckiej. In: A. Koško, J. Czebreszuk (Eds) „*Trzcinięc*” – system kulturowy czy interkulturowy proces?, 337-342. Poznań.

Bobrinский A.A.

1901 *Kurgany i sluchaynye nachodki bliz mestechka Smela 3*. Sankt Petersburg.

Bochkarev V.S.

1982 Razvitie obshchestva i progress sistem vooruzheniya (po materialam pory pozdney bronzy yuga Vostochnoy Evropy). In: *Kulturniy progress v epokhu bronzy i rannego zheleza. Tezisy dokladov mezhdunarodnoy konferenstii*, 19-22. Erevan.

Boltrik Y.V., V.N. Levchenko, E.E. Fyalko

1991 O pozdneyamnykh chertakh v katakombnom pogrebalnom obryade nizovyva reki Molochnoy. In: *Katakombnye kultury Severnogo Prichernomor'ya*, 57-84. Kiev.

Brandenburg N.E.

1899 Ob aborigenach Kievskogo Kraya. *Trudy XI Arkheologicheskogo syezda 1*. Moskva.

1908 *Zhurnal raskopok 1888 – 1902 gg.* Sankt Petersburg.

Bratchenko S.N.

1976 *Nizhnee Podone v epokhu sredney bronzy*. Kiev.

1989 Katakombnye kultury Severskogo Dontsa i severo-vostochnogo Priazov'ya. In: *Problemy okhrany i issledovaniya pamyatnikov arkheologii v Donbasse*, 27-29. Donetsk.

1996 Do problemy rannobronzovoy industrii Skhidnoy Evropy. In: *Drevnie kultury Vostochnoy Ukrainy*, 32-57. Luhansk.

2001 *Donetska katakombna kultura rannogo etapu*. Luhansk.

Bratchenko S.N., O.G. Shaposhnikova

1985 Katakombnaya kulturno-istoricheskaya obshchnost. *Arkheologiya Ukrain'skoy SSR 1*: 403-420.

Breunig P.

1987 *14C – Chronologie des vorderasiatischen, südost- und mitteleuropäischen Neolithikums*. Köln-Wien.

Bronicki A.

1998 Zimne, rejon Włodzimierz Wołyński, osada z okresu neolitu – stan badań i zakres problematyki badawczej. In: A. Kokowski (Ed.) *20 lat archeologii w Masłomęczu 1*: 35-48. Lublin.

Bronicki A., S. Kadrow

1988 Osada neolityczna w Majdanie Nowym, woj. Chełm. *SPA 39*: 89-129.

Bronicki A., G. Ochrimenko, A. Zakościelna

1998 Badania weryfikacyjno-sondazowe wyżynnej osady neolitycznej na stanowisku „Grodzisko” w Zimnem, rej. Włodzimierz Wołyński (Ukraina). *APŚ 3*: 12-29.

Bronk Ramsey Ch.

2000 *OxCal v. 3.5*. Oxford.

Buchvaldek M.

1986 Kultura se šňůrovou keramikou ve střední Evropě I. Skupiny mezi Harcem a Bílými Karpaty. *Praehistorica*. Praha.

Buchvaldek M., D. Koutecký

1970 Vikletice, ein schnurkeramisches Gräberfeld. *Praehistorica III*. Praha.

Bukowski Z.

1976 *Elementy wschodnie w kulturze lużyckiej u schyłku epoki brązu*. Wrocław.

Burchard B.

1981 Kultura pucharów lejkowatych w Małopolsce Zachodniej. In: T. Wiślański (Ed.) *Kultura pucharów lejkowatych w Polsce*, 221-238. Poznań.

1991 The Neolithic Settlement at Niedźwiedź. In: D. Jankowska (Ed.) *Die Trichterbecherkultur. Neue Forschungen und Hypothesen. Material des Internationalen Symposium, Dymaczewo, 20-24 September 1988* 2: 181-187. Poznań.

Burchard B., S. Jastrzębski, J. Kruk

1992 Some Questions at Funnel Beaker Culture South-Eastern Group. In: D. Jankowska (Ed.) *Die Trichterbecherkultur, Neue Forschungen und Hypothesen. Material des Internationalen Symposium, Dymaczewo, 20-24 September 1988* 2: 95-101. Poznań.

Buszewicz J.

1988 Sprawozdanie z badań osady neolitycznej w Gródku Nadbużnym, stan 1. C. *Sprawozdania z badań terenowych w województwie zamojskim w 1988 roku*, 14-18. Zamość.

Calderoni G., J. Gancarski, M. Lityńska-Zajac, K. Tunia

2000 Radiocarbon dating of the Bronze Age assemblages of Słonowice and Trzcinica sites (Kielce and Krosno provinces, southern Poland). *Origini* 22 (1998-2000): 267-298.

Calderoni G., A. Gazzella, M. Moscoloni

1994 Refining the time-scale for the Bronze Age in Italy by radiocarbon dating of bone collagen: the case study of Coppa Nevigata settlement (Puglia, Southern Italy). *Science and Technology for Cultural Heritage* 3: 49-56.

Cherednichenko N.N., G.L. Evdokimov

1975 *Otchet o raskopkakh Verkhnetarasovskoy ekspeditsii v 1975 g.* NA IA NANU: 1975/11.

Chernyakov I.T.

1977 Kimmeriyskie kurgany bliz ustya Dunaya. In: *Skify i sarmaty*, 29-36. Kiev.

Chmykhov M.O., I.T. Chernyakov

1988 *Khronologiya arkeologichnykh pamyatok epokhi midi-bronzy na territorii Ukrainy*. Kiev.

Chochorowski J.

- 1992 Europa środkowa na przełomie epoki brązu i wczesnej epoki żelaza. In: S. Czopek (Ed.) *Ziemia polskie we wczesnej epoce żelaza i ich powiązania z innymi terenami*, 9-21. Rzeszów.
- 1994 *Ekspansja kimmeryjska na tereny Europy Środkowej*. Kraków.

Constantinescu L.F.

- 1984 Rannoyamni pokhovannya pivnichno-skhidnogo Podonnya. *Arkheologiya* 45: 12-19.

Cucoş S.

- 1982 Începuturile perioadei de tranziție de la eneolitic la epoca bronzului în zona subcarpatică a Moldovei. *Acta Musei Napocensis* 19: 253-260.
- 1985 Cultura amforelor sferice din depresiunea subcarpatică a Moldovei. *Memoria Antiquitatis. Acta Musei Petrodavensis* 9-11 (1977-1979): 141-161.

Cyhyłyk V., J. Machnik

- 1996 Groby kultury ceramiki sznurowej nad Werszczycą w dorzeczu górnego Dniestru. In: *Problemy epoki brązu i wczesnego żelaza w Europie Środkowej. Księga Jubileuszowa poświęcona Markowi Gedlowi*, 149-161. Kraków.

Czebreszuk J.

- 1996 *Spółeczności Kujaw w początkach epoki brązu*. Poznań.
- 1998a „Trzciniec” – koniec pewnej tradycji. In: A. Koško, J. Czebreszuk (Eds) *„Trzciniec” – system kulturowy czy interkulturowy proces?*, 411-429. Poznań.
- 1998b „Trzciniec”. An alternative view. In: A. Koško (Ed.) *The Trzciniec Area of the Early Bronze Age Civilization: 1950-1200 BC. BPS* 6: 165-189.
- 2001 *Schyłek neolitu i początki epoki brązu w strefie południowo-zachodniobałtyckiej (III i początki II tys. przed Chr.)*. *Alternatywny model kultury*. Poznań.

Czebreszuk J., M. Ignaczak, J. Łoś

- 1997 *Osadnictwo wczesnej kultury łużyckiej w Narkowie, gmina Dobrze, stanowisko 9. Z badań nad kulturą łużycką na Niżu Polskim*. Poznań.

Czebreszuk J., M. Ignaczak, P. Makarowicz

- 2003 Schyłek świata trzcinieckiego w międzyrzeczu Warty i Wisły. In: Zmierzch kompleksu trzciniecko-komarowskiego. Kształtowanie się nowej rzeczywistości kulturowej w środkowej i młodszej epoce brązu. Materiały z konferencji archeologicznej Zamość 07-09.12.1998. *Kultura i historia. Czasopismo teoretyczno-historyczno-kulturoznawcze* 4. Lublin.

Czebreszuk J., A. Koško, P. Makarowicz, M. Szmyt

- 2000 Podsumowanie. In: A. Koško (Ed.) *Archeologiczne badania ratownicze wzdłuż trasy gazociągu tranzytowego. Vol. III, Kujawy. Part 4, Osadnictwo kultur późnoneolitycznych oraz interstadium epok neolitu i brązu: 3900-1400/1300 przed Chr.*, 569-572. Poznań.

Czebreszuk J., M. Szmyt

- 1998 Der Epochenbruch vom Neolithikum zur Bronzezeit im Polnischen Tiefland am Beispiel Kujawiens. *Prähistorische Zeitschrift* 73: 167-232.
- 2001 The 3rd Millennium BC in Kujawy in the Light of ¹⁴C dates. In: J. Czebreszuk, J. Müller (Eds) *Die absolute Chronologie in Mitteleuropa 3000-2000 v. Chr.*, 177-208. Poznań-Bamberg-Rahden/Westf.

Czerniak L.

- 1994 *Wczesny i środkowy okres neolitu na Kujawach 5400-3650 p.n.e.*. Poznań.

Czerniak L., L. Domańska, A. Koško, D. Prinke

- 1991 The Funnel Beaker Culture in Kujavia, In: D. Jankowska (Ed.) *Die Trichterbecherkultur, Neue Forschungen und Hypothesen. Material des Internationalen Symposium, Dymaczewo, 20-24 September 1988* 2: 67-75. Poznań.

Czopek S.

- 1996 *Grupa tarnobrzeska nas środkowym Sanem i dolnym Wisłokiem*. Rzeszów.

Danilenko V.N.

- 1974 *Eneolit Ukrainy*. Kiev.

Daszkiewicz M., D. Prinke

- 2001 Problem relacji tzw. ceramiki pasmowo-grzebykowej i kultury pucharów lejkatych na podstawie źródeł z Kujaw. In: J. Czebreszuk, M. Kryvalcevič, P. Makarowicz (Eds) *Od neolityzacji do początków epoki brązu. Przemiany kulturowe w międzyrzeczu Odry i Dniepru między VI i II tys, przed Chr.* *Archaeologia Bimaris* 2: 121-129. Poznań.

Dinu M.

- 1959 Sondajul arheologic de la Dolheștii Mari. *Materiale si cercetari arheologice* 6 (1960): 213-220.
- 1960 K voprosu o kulture sharovidnykh amfora na territorii Moldovii. *Dacia* 6: 89-106.
- 1961a Contribuții la problema culturii amforelor sferice pe teritoriul Moldovei. *Arheologia Moldovei* 1: 43-64.
- 1961b Șantierul Dolheștii Mari (r. Fălticeni, reg. Suceava). *Materiale și cercetări arheologice* 7: 121-129.
- 1978 *Complexul cultural Horodiștea-Foltești. Contribuția noilor cercetări arheologice la problema perioadei de tranziție de la eneolitic la epoca bronzului din zona est carpatică a României* (summary of the doctoral thesis). Universitatea "Al. I. Cuza". Iași.

Dremov I.I.

- 1997 O planigrafii i stratigrafii pogrebenii kontsa sredney – nachala pozdney bronzy stepnogo Povolzhya. In: *Epokha bronzy i ranniy zhelezniy vek v istorii drevnikh plemen yuzhnoruskikh stepey*, 61-69. Saratov.

Dremov I.I., A.I. Yudin

1992 Drevneyshie kurgannye zakhoroneniya stepnogo Zavolzhya. *RA* 2: 123-128.

Dumitroaia G.

2000 *Comunități preistorice din nord-estul României. De la cultura Cucuteni până în bronzul mijlociu*. Piatra-Neamț.

Elagina N.G., V.G. Petrenko

1969 *Otchet Inguletskoy skifskoy stepnoy ekspeditsii IA AN SSSR i MGU za 1969 g.* NA IA RAN: 1969/27.

Enăchiuc V.

1987 Depozitul (turnătorie) de bronzuri de la Drida (judetul Jalomița). *Thraco-Dacica* VIII - 1-2: 72-91. București.

Evdokimov G.L.

1979 O rannem etape katakombnoy kultury v Severnom Prichernomorie. In: *Problemy epokhi bronzy yuga Vostochnoy Evropy*, 45-46. Donetsk.

1980 O kulturno-khronologicheskikh razlichiyakh katakombnykh pamyatnikov Nizhnego Podneprovya, Priazovya i Kryma. In: *Arkheologicheskie issledovaniya na Ukraine v 1978 - 1979 gg.*, 48-50. Dnipropetrovsk.

1981 Raboty Krasnoznamenskoy Ekspeditsii. In: *Arkheologicheskie otkrytiya 1980 goda*, 247. Moskva.

1987 K voprosu o roli donetskoy katakombnoy kultury v slozhenii katakombnykh kultur Severnogo Prichernomorya. In: *Problemy okhrany i issledovaniya pamyatnikov arkheologii v Donbasse*, 46-48. Donetsk.

Feshchenko E.L.

1993 *Pokhovalniy obryad naseleण्या katakombnoy kultury Pivnichnostepovogo Podniprovya ta Peredstepi (Dosvid vyvchennya z zastosuvannym formalizovano- statystychnykh metodiv)*. Avtoreferat dissertatsiy kandidata istoricheskikh nauk. Dnipropetrovsk.

Fisenko V.A.

1970 Pogrebeniya yamno-katakombnogo tipa Kalmykii i ikh mesto sredi pamyatnikov bronzovoy epokhi Severo-Zapadnogo Prikaspiya. *SA* 1: 167-170.

Florek M., H. Taras

1997 Möglichkeiten der Interpretation von Bestattungsbräuchen und Gesellschaftlichen Fragen in der Trzciniec-Kultur. Am Beispiel des Hügelgrabs in Dacharzów. In: W. Blajer (Ed.) *Beiträge zur Deutung der bronzezeitlichen Hort- und Grabfunde in Mitteleuropa*, 65-89. Kraków.

2003 *Dacharzów. Cmentarzysko kultury trzcinieckiej*. Lublin.

Foltiny S.

1967 The ivory horse bits of Homer and the bone horse bits of reality. *Bonner Jahrbuch* 167: 11-37.

Furmánek V., L.Veliačik, J. Vladár

1991 *Slovensko v dobe bronzowej*. Bratislava.

Gajewski L.

1953 Kultura czas leżowatych między Wisłą a Bugiem. *Annales UMCS, S. F, IV* (1949): 1-194.

Gancarski J.

1994 Pogranicze kultury trzcinieckiej i Otomani-Füzesabony – grupa jasielska. In: *Problemy kultury trzcinieckiej*, 75-101. Rzeszów.

1999 Wehranlage vom Beginn der Bronzezeit in Trzcinica, Gde. Jasło. In: *Kultura Otomani-Füzesabony – rozwój, chronologia, gospodarka. Die Otomani-Füzesabony kultur – Entwicklung, Chronologie, Wirtschaft*, 131-144. Krosno.

2002 Kultura Otomani-Füzesabony po północnej stronie Karpat. In: *Między Mykenami a Bałtykiem. Kultura Otomani-Füzesabony*, 103-124. Krosno-Warszawa.

Gardawski A.

1959 Plemiona kultury trzcinieckiej w Polsce. *Materiały Starożytne* 5: 7-189.

Gaździk M., B. Józwiak

2001 Społeczności subneolityczne na Niżu Polskim w międzyrzeczu Odry i Wisły (zarys problematyki). In: J. Czebreszuk, M. Kryvalcevič, P. Makarowicz (Eds) *Od neolityzacji do początków epoki brązu. Przemiany kulturowe w międzyrzeczu Odry i Dniepru między VI i II tys, przed Chr. Archaeologia Bimaris* 2: 99-120. Poznań

Gedl M.

1975 *Kultura łużycka*. Kraków.

1983 Die Nadeln in Polen I. *PBF* 13,7. München.

Gei A.N.

2000 *Novotitarovskaya kultura*. Moskva.

Gershkovich J.P.

1998 Etnokulturnie svyazi v epokhu pozdney bronzy v svete sootnosheniya pamyatnikov (Nizhnee Podneprove – Severo-Vostochnoe Priazove – Podontsove). *Arkheologicheskij almanakh* 7: 61-92. Donetsk.

Gershkovich J.P., V.I. Klochko

1987 Svyazi plemen Nizhnego Podneprovya v epokhu pozdney bronzy (po materialam Zavadovskoy masterskoy). In: *Mezhplemennye svyazi epokhi bronzy na territorii Ukrainy*, 101-123. Kiev.

Głosik J.

1968 Kultura strzyżowska. *Materiały Starożytne* 11: 7-114.

Gorodtsov V.A.

1905 Rezultaty arkheologicheskikh issledovaniy v Izyumskom uезде Kharkovskoy gubernii v 1901 g. In: *Trudy XII Arkheologicheskogo Sezda* 1: 174-225. Moskva.

- 1907 Rezultaty arkheologicheskikh issledovaniy v Bakhmutskom uezde Ekaterinislavskoy gubernii 1905 g. In: *Trudy XIII Arkheologicheskogo Sezda* 1: 211-365. Moskva.
- 1916 *Kultury bronzovoy epokhi Sredney Rossii*. Moskva.
- Goshko T.Y., V.V. Otroshchenko
- 1986 Pogrebeniya kimmeriytsev v katakombnykh i podboinykh sooruzheniyakh. *SA* 1: 168-183.
- Górski J.
- 1994 Osada kultury trzcinieckiej i łużyckiej w Nowej Hucie-Mogile, stan. 55. Analiza materiałów. Część II. *MANH* 17: 65-113.
- 1997 Główne etapy rozwoju kultury trzcinieckiej na obszarze Nowej Huty na tle przemian tej kultury zachodniej Małopolsce. *MANH* 20: 7-37.
- 1998a Podstawy taksonomii kultury trzcinieckiej w dorzeczu górnej Wisły. In: A. Koško, J. Czebreszuk (Eds) „*Trzciniec*” – *system kulturowy czy interkulturowy proces?*, 61-73. Poznań.
- 1998b The Foundations of Trzciniec Culture taxonomy in Western Małopolska. In: A. Koško (Ed.) *The Trzciniec Area of the Early Bronze Age Civilization: 1950-1200 BC*. *BPS* 6: 7-18.
- 1998c Kultura trzciniecka i kultura łużycka. Problem zmiany kulturowej w zachodniej Małopolsce. In: A. Koško, J. Czebreszuk (Eds) „*Trzciniec*” – *system kulturowy czy interkulturowy proces?*, 361- 378. Poznań.
- 1998d The question of the decline of Trzciniec Culture in western Małopolska. Trzciniec Culture vs. Lusatian Culture. In: A. Koško (Ed.) *The Trzciniec Area of the Early Bronze Age Civilization: 1950-1200 BC*. *BPS* 6: 115-129.
- 1999 Die Beziehungen zwischen dem westlichen Kleinpolen und dem Gebiet der Slowakei in der klassischen Phase der Trzciniec-Kultur (ausgewählte Aspekte). In: J. Batora, J. Peška (Eds) *Aktuelle Probleme der Erforschung der Frühbronzezeit in Böhmen und Mähren und in der Slowakei*, 251-265. Nitra.
- 2002 Zmiana organizacji sieci osadniczej na obszarze Nowej Huty w środkowym okresie epoki brązu. *MANH* 23: 17-38.
- 2003 *Datowanie i zróżnicowanie wewnętrzne kultury trzcinieckiej na lessach Niecki Nidziańskiej*. Manuscript of PhD dissertation. Instytut Archeologii i Etnologii PAN Kraków.
- Górski J., S. Kadrow
- 1996 Kultura mierzanowicka i kultura trzciniecka w zachodniej Małopolsce. Problem zmiany kulturowej. *SPA* 48: 9-32.
- 2001 Die frühe und ältere Bronzezeit in Kleinpolen im Lichte der Radiokarbon-datierungen (mit einigen Bemerkungen zu ausgewählten Fundstellen in der Ukraine). In: J. Czebreszuk, J. Müller (Eds) *Die absolute Chronologie in Mitteleuropa 3000-2000 v. Chr.*, 131-176. Poznań-Bamberg-Rahden/Westf.

Grossman A.

- 1998 Kto użytkował wczesnobrązowy Biskupin, czyli stanowisko 2a w Biskupinie, gm. Gąsawa, woj. bydgoskie w świetle najnowszych badań. In: A. Koško, J. Czebreszuk (Eds) „*Trzciniac*” – *system kulturowy czy interkulturowy proces?*, 179-192. Poznań.

Grygiel R.

- 1987 Z badań nad kulturą trzciniacką w rejonie Brześcia Kujawskiego. In: *Kultura trzciniacka w Polsce*, 73-88. Kraków.
- 1995 Sytuacja kulturowa w późnym okresie halstattkim i wczesnym lateńskim w rejonie Brześcia Kujawskiego. In: *Kultura pomorska i kultura grobów kloszowych. Razem czy osobno?*, 319-359. Warszawa.

Gumiński W.

- 1989 *Gródek Nadbużny. Osada kultury pucharów lejkowatych*. Wrocław.

Gurba J.

- 1989 Kultura pucharów lejkowatych. In: J. Kmiecński (Ed.) *Pradzieje ziem polskich*. T. I, *Od paleolitu do środkowego okresu lateńskiego, Cz. 1, Epoka kamienia*, 217-232. Warszawa-Łódź.

Hall R. A.

- 1962 The Life Cycle of Pidgin Languages. *Lingua* 11: 151-156.

Harčar J.

- 2001 Physicogeographical Characteristic of the Brestov area. Slovakia. In: J. Machnik (Ed.) *Archaeology and Natural Background of the Lower Beskid Mountains, Carpatians, part I. Prace Komisji Prehistorii Karpat PAU* 2: 23-25.
- 2001a Nature conditions of the Slovak part of the Lower Beskid Mountains. Position and morphological characteristics. In: J. Machnik (Ed.) *Archaeology and Natural Background of the Lower Beskid Mountains, Carpatians, part I. Prace Komisji Prehistorii Karpat PAU* 2: 93-102.

Harding A., H. Hughes-Brock

- 1974 Amber in the Mycenaean World. *BSA* 69: 145-172.

Harmata K.

- 1995 Traces of human impact reflected in pollen diagram from Tarnowiec mire near Jasło (Jasło – Sanok depression SE Poland). *Vegetation History and Archaeobotany* 4: 235-243.

Henderson J.

- 1988 Glass production and Bronze Age Europe. *Antiquity* 62: 435-451.

Ignaczak M.

- 2002 *Ze studiów nad genezą kultury łużyckiej w strefie Kujaw*. Poznań.
- 2003 Osadnictwo społeczności kultury łużyckiej. In: J. Bednarczyk, L. Czerniak, A. Koško (Eds) *Archeologiczne badania ratownicze wzdłuż trasy gazociągu*

tranzytowego. Vol. III, Kujawy. Part 5, Osadnictwo społeczeństw kultur cyklu łużyckiego, Poznań (in print).

Ignaczak M., Z. Głogowski

2003 Osadnictwo społeczeństw kultury łużyckiej. In: J. Bednarczyk (Ed.) *Od długiego domu najstarszych rolników do dworu staropolskiego. Wyniki badań na trasie gazociągu Mogilno-Włocławek i KPMG Mogilno-Wydartowo*, Poznań (in print).

Ignaczak M., K.Szamałek, Z. Głogowski

2003 Osadnictwo kultur cyklu łużyckiego na stanowisku Sławsko Wielkie 12 (GAZ/384). In: J. Bednarczyk, L. Czerniak, A. Kośko (Eds) *Archeologiczne badania ratownicze wzdłuż trasy gazociągu tranzytowego. Vol. III, Kujawy. Part 5, Osadnictwo społeczeństw kultur cyklu łużyckiego*, Poznań (in print).

Illinskaya V.A.

1960 Poselenie komarovskoy kultury u s. Moshny. *KSI* 10: 48-58.

Illinskaya V.A., O.I. Terenozhkin

1986 Skifo-sarmatskiy period. In: *Arkheologiya Ukrainskoy SSR 2*. Kiev.

Ivanova S.V.

1999 O khronologii i periodizatsii pamyatnikov yamnoy kultury Severo-Zapadnogo Prichernomor'ya. *Kratkie soobshcheniya Odesskogo arkheologicheskogo obshchestva*, 52-57. Odesa.

2000 *Sotsyalnaya struktura naseleniya yamnoy kultury Severo-Zapadnogo Prichernomor'ya*. Odesa.

Ivanova S.V., N.E. Vetchinnikova

1991 *Otchet o rabote Ivanovskogo otryada Odesskogo okhrannogo arkheologicheskogo tsentra v 1991 godu*. NA IA NANU: 1991/145.

Jastrzębski S.

1984 Rec. A. Kośko, Udział południowo-wschodnioeuropejskich wzorców kulturowych w rozwoju społeczeństw kultury pucharów lejkowatych. *AP* 29: 176-184.

1985 Imports of the Trypole Culture Pottery the South-Eastern Group of the Funnel Beaker Culture. In: A. Kokowski (Ed.) *Memoires Archeologiques*, 71-92. Lublin.

1989 Funnel Beaker Culture, Lesser Poland Group Gródek nad Bugiem, gm. Hrubieszów, woj. Zamość, Site 1 C, Settlement. *PA* 36: 239-244.

1991 The Settlement of the Funnel Beaker Culture at Gródek Nadbużny, the Zamość District, Site 1 C – Brief Characteristics. In: D. Jankowska (Ed.) *Die Trichterbecherkultur. Neue Forschungen und Hypothesen. Material des Internationalen Symposium, Dymaczewo, 20-24 September 1988 2*: 189-196. Poznań.

Jażdżewski K.

1936 *Kultura puharów lejkowatych w Polsce zachodniej i środkowej*. Poznań.

Józwiak B.

2003 *Spółeczności subneolitu wschodnioeuropejskiego na Niziu Polski w międzyczaszu Odry i Wisły*. Poznań.

Kadrow S.

1990 *Iwanowice, stanowisko Babia Góra. Część I. Rozwój przestrzenny osady z wczesnego okresu epoki brązu*. Kraków.

1994 Co datują laboratoria radiowęglowe? *Światowit* 39: 143-151.

1995 *Gospodarka i społeczeństwo. Wczesny okres epoki brązu w Małopolsce*. Kraków.

2001a Kalibracja dat radiowęglowych profilu pyłkowego z Cholerzyna. In: S. Kadrow (Ed.) *Przyroda i człowiek. Materiały do studiów (Via Archaeologica. Źródła z badań wykopaliskowych na trasie autostrady A4 w Małopolsce)*, 75-81. Kraków.

2001b *U progu nowej epoki. Gospodarka i społeczeństwo wczesnego okresu epoki brązu w Europie Środkowej*. Kraków.

Kadrow S., E. Kłosińska

1989 Obiekt kultury lubelsko-wołyńskiej na stanowisku 10 w Łańcucie, woj. Rzeszów. *SPA* 40: 9-25.

Kadrow S., A. Koško, M. Videiko

1995 Pottery stylistics of the Sofievka type, genetic-cultural qualification. In: A. Koško (Ed.) *Cemeteries of the Sofievka type: 2950-2750 BC*. *BPS* 3: 200-213.

Kadrow S., J. Machnik

1997 *Kultura mierzanowicka, chronologia taksonomia i rozwój przestrzenny*. Kraków.

Kadrow S., M. Szmyt

1996 Absolute chronology of the Eastern group of the Globular Amphora culture. In A. Koško (Ed.) *Eastern Exodus of the Globular Amphora People: 2950-2350 BC*. *BPS* 4: 103-111.

Kadrow S., A. Zakościelna

2000 An outline of the evolution of danubian cultures in Małopolska and western Ukraine. In: A. Koško (Ed.) *The Western Border Area of the Tripolye Culture*. *BPS* 9: 187-255.

Kaiser E.

1999 Radiocarbon dates from catacomb graves. In: A. Koško (Ed.) *The Foundations of Radiocarbon Chronology of Cultures between the Vistula and Dnieper: 3150-1850*. *BPS* 7: 129 - 150.

- 2001 Neue Radiokarbondatierungen für Gräber der Gruben- und Katakombengrabkultur im Steppengebiet der Ukraine. In: J. Czebreszuk, J. Müller (Eds) *Die absolute Chronologie in Mitteleuropa 3000-2000 v. Chr.*, 81-102. Poznań-Bamberg-Rahden/Westf.

Kalicz N.

- 1991 Beiträge zur Kenntnis der Kupferzeit im ungarischen Transdanubien. In: J. Lichardus (Ed.) *Die Kupferzeit als historische Epoche*, 347-387. Saarbrücken.

Kempisty A.

- 1978 *Schylek neolitu i początek epoki brązu na Wyżynie Małopolskiej w świetle badań nad kopcami*. Warszawa.

Kempisty A., P. Włodarczak

- 1996 Chronologia absolutna cmentarzyska w Żernikach Górnych. In: W. Nowakowski (Ed.) *Concordia. Studia ofiarowane Jerzemu Okuliczowi-Kozarynowi*, 127-140. Warszawa.
- 2000 Cemetery of the Corded Ware Culture in Żerniki Górne. *Światowit. Supplement series P: Prehistory and Middle Ages V*. Warszawa.

Klochko V.I.

- 1992 Vostochnaya granitsa (na Levoberezhnoy Ukraine) vliyaniy kruga luzhitskoy kultury, In: S. Czopek (Ed.) *Ziemia polskie we wczesnej epoce żelaza i ich powiązania z innymi terenami*, 183-188. Rzeszów.
- 1993 Weapons of the Tribes of the Northern Pontic Zone in 16th-10th Centuries BC. *BPS 1*.
- 1996 Novye aspekty svyazey Severnogo Prichernomor'ya s Vostochnym Sredizemnomorem v pozdnem bronzovom veke. In: *Mir Olvii. Materialy yubiley-nykh chteniy, posvyashchennykh 90-letyu so dnya rozhdeniya L.M. Slavina*, 129-131. Kiev.
- 1998 Die Süd- und Westbeziehungen der Ukraine rechts des Dniepr in 2 und frühen 1 Jahrtausend v. Chr. In: B. Hänsel, J. Machnik (Eds) *Das Karpatenbecken und osteuropäische Steppe*, 343-351. München.
- 1999 Radiocarbon Chronology of the Early and Middle Bronze Age in the Middle Dnieper Region. The Myronivka Barrows. In: A. Koško (Ed.) *The Foundations of Radiocarbon Chronology of Cultures between the Vistula and Dnieper: 3150-1850*. *BPS 7*: 163-195.
- 2001 Weaponry of the Societies of the Northern Pontic Cultural Circle: 5000-700 BC. *BPS 10*.

Klochko V., A. Koško, M. Szmyt

- 1999a Problem of taxonomic limitations in the synthesis of the history of Baltic-Pontic borderland in 3150-1850 BC. In: A. Koško (Ed.) *The Foundations of Radiocarbon Chronology of Cultures between Vistula and Dnieper: 3150-1850*. *BPS 7*: 7-11.

- 1999b A comparative chronology of the prehistory of the area between the Vistula and Dnieper: 3150-1850 BC. In: A. Koško (Ed.) *The Foundations of Radiocarbon Chronology of Cultures between the Vistula and Dnieper: 3150-1850. BPS 7: 264-282.*
- Klochko V.I., N.N. Kovalyukh, V.V. Skripkin, I. Motzenbecker
1998 The chronology of the Subotiv settlement. *Radiocarbon* 40(2): 667-673.
- Klochko V., V. Kruts
1999 Radiocarbon dates from the Yamnaya culture barrow at the Tripolye culture "Giant settlement" near Talyanky. In: A. Koško (Ed.) *The Foundations of Radiocarbon Chronology of Cultures between the Vistula and Dnieper: 3150-1850. BPS 7: 72-79.*
- Klochko V.I., S.Z. Pustovalov
1992 Do rekonstruktsii uzbroyennya ta viyskovoy spravy katakombnogo suspilstva Pivnichnogo Prychornomorya. In: *Pratsi tsentru pamyatkoznavstva* 1: 118-141. Kiev.
1994 The Warfare of the Northern Pontic Steppe – Forest-Sepper Pastoral Societies 2750-2000 B.C. In: A. Koško (Ed.) *Nomadism and Pastoralism in the Circle of Baltic-Pontic Early Agrarian Cultures: 5000-1650 BC. BPS 2: 196-215.*
- Klyushentsev V.N.
1994 Pogrebeniya v kamennykh yashchikakh sabatinovskoy kultury na r. Ingulets. *SA* 4: 250-254.
- Kłosińska E.
1987 Zagadnienie cmentarzysk kurhanowych kultury trzcinieckiej. In: *Kultura trzciniecka w Polsce*, 35-55. Kraków.
1997 *Starszy okres epoki brązu w dorzeczu Warty*. Wrocław.
- Kokowski A., A. Zakościelna
1988 Grób kultury wołyńsko-lubelskiej ceramiki malowanej w Gródku nad Bugiem, stan, 1C, gm. Hrubieszów, woj. zamojskie. *SPA* 39: 58-67.
- Kolotukhin V.A.
1996 *Gorniy Krym v epokhu pozdney bronzy – nachale zheleznogo veka*. Kiev.
- Koltukhov S.G., A.E. Kisliy, G.N. Toshchev
1994 *Kurgannye drevnosti Kryma* 1. Zaporizhzhia.
- Koltukhov S.G., G.N. Toshchev
1998 *Kurgannye drevnosti Kryma* 2. Zaporizhzhia.
- Koman W.
1989 Badania cmentarzyska kurhanowego kultury ceramiki sznurowej w Łubczu na stan. 26, gmina Jarczów. *Sprawozdania z badań terenowych w województwie zamojskim w 1989 roku*, 5-11. Zamość.

- 1990 Badania mikroregionalne na Grzędzie Sokalskiej. Cmentarzysko kurhanowe kultury ceramiki sznurowej w Łubczu na stan. 2, gm. Jarczów. *Sprawozdania z badań terenowych w województwie zamojskim w 1990 roku*, 11-19. Zamość.
- 1996 Sprawozdanie z badań kurhanu na stan. 27 w Łubczu, woj. zamojskie. *APS* 2: 37-44.
- 1997 Sprawozdanie z badań wykopaliskowych kurhanu kultury ceramiki sznurowej na stan. 3 w Hubinku, woj. zamojskie. *APS* 3: 61-68.
- 1998 Wyniki ratowniczych badań kurhanu nr 2 kultury ceramiki sznurowej w Łubczu na stan. 25, pow. Tarnów Lubelski. *APS* 4: 41-55.
- Koman W., J. Machnik
- 1991 Sprawozdanie z badań wykopaliskowych kurhanu nr II w Łubczu, na stan. 1, gm. Jarczów. *Sprawozdanie z badań terenowych w województwie zamojskim w 1991 roku*, 8-12. Zamość.
- 1993 Mohyly kultúry so šnúrovou keramikou, w juhozápadnej časti Wołyńskiej Výšiny. *Východoslovenský Právek* 4: 41-47.
- Komornicki T., T. Gerlach, S. Masoński, Oleksynowa
- 1990 Groby w otoczeniu kurhanów neolitycznych w Bierówce koło Jasła oraz gleba w kurhanie B. *AAC* 29: 125-142.
- Kondracki J.
- 1969 *Podstawy regionalizacji fizjogeograficznej*. Warszawa.
- Korenevskiy S.N.
- 1993 Radiokarbonnye daty Maykopskikh (galyugaevskikh) poseleniy. In: *Vtoraya Kubanskaya arkheologicheskaya konferentsiya*, 50-52. Krasnodar.
- Koško A.
- 1979 *Rozwój kulturowy społeczeństw Kujaw w okresach schyłkowego neolitu i wczesnej epoki brązu*. Poznań.
- 1981 *Udział południowo-wschodnioeuropejskich wzorców kulturowych w rozwoju niżowych społeczeństw pucharów lejkowatych. Grupa mątwowska*. Poznań.
- 1982 Epoka kamienna. In: A. Cofta-Broniewska, A. Koško, *Historia pierwotna społeczeństw Kujaw*, 12-120. Warszawa-Poznań.
- 1985 Influences of the "pre-yamnaya" ("pre-pitgrave") communities from Black Sea Steppe in Western European Cultures. In: J.K. Kozłowski, J. Machnik (Eds) *L'Enéolithique et le début de l'âge du bronze dans certaines régions de l'Europe*, 57-72. Wrocław-Warszawa-Kraków-Gdańsk.
- 1993 Z badań nad udziałem tradycji kultury amfor kulistych w sferze światopoglądowo-obrzędowej społeczeństw kultury iwieńskiej. In: F. Różnowski (Ed.) *Miscellanea archaeologica Thaddaeo Malinowski dedicata*, 215-223. Poznań-Słupsk.
- 1998 *Osada kultury pucharów lejkowatych w Inowrocławiu-Mątwach, woj. Bydgoszcz, stanowisko 1*. Inowrocław.

- 1988 Rozwój kulturowy społeczeństw Kujaw w okresie późnego neolitu oraz interstadium epok neolitu i brązu w aspekcie recepcji egzogennych wzorców kulturotwórczych. In: A. Cofta-Broniewska (Ed.) *Kontakty pradziejowych społeczeństw Kujaw z innymi ludami Europy*, 145-183. Inowrocław.
- 1989 Cultural Development of Kuiavian Communities during the Late Neolithic and the Neolithic - Bronze Age Interstage in the Aspect of Exogenous Culture-Forming Pattern Reception. In: A. Cofta-Broniewska (Ed.) *Prehistoric Contacts of Kuiavian Communities with other Europeans Peoples. Archaeologia Interregionalis* 10: 155-181. Warszawa.
- 1991 The Oder-Vistula Basin and North Pontic Region. *JIES* 19: 235-257.
- 2000 Osadnictwo kultury pucharów lejkowatych. In: A. Koško (Ed.) *Archeologiczne badania ratownicze wzdłuż trasy gazociągu tranzytowego. Vol. III, Kujawy. Part 4, Osadnictwo kultur późnoneolitycznych oraz interstadium epok neolitu i brązu: 3900-1400/1300 przed Chr.*, 19-133. Poznań.
- 2001 Zagadnienie wczesnobrązowej cezury w rozwoju szlaku „Krym – Jutlandia”. In: J. Czebreszuk, M. Kryvalcevič, P. Makarowicz (Eds) *Od neolityzacji do początków epoki brązu. Przemiany kulturowe w międzyrzeczu Odry i Dniepru między VI i II tys, przed Chr. Archaeologia Bimaris* 2: 283-289. Poznań.
- 2002 Fluted maces in the cultural system of the borderline of eastern and western Europe: 2350-800 BC. In: A. Koško (Ed.) *Fluted Maces in the System of Long-distance Exchange Trails of the Bronze Age: 2350-800 BC. BPS* 11: 31-81.
- Koško A. (Ed.)
- 1998 The Trzciniec Area of the Early Bronze Age Civilization: 1950-1200 BC. *BPS* 6.
- 1999 The Foundations of Radiocarbon Chronology of Cultures between the Vistula and Dnieper: 3150-1850BC. *BPS* 7.
- 2000 The Western Border Area of the Tripolye Culture. *BPS* 9
- 2002 Fluted Maces in the System of Long-distance Exchange Trails of the Bronze Age: 2350-800 BC. *BPS* 11.
- Koško A., V.I. Klochko
- 1987 A Late Neolithic Composite Bow. *Journal of the Society of Archer-Antiquaries* 30: 15-23. London.
- Koško A., J. Kurzawa
- 1997 Późnoneolityczny „obiekt obrzędowy” z Kruszy Podlotowej, woj. bydgoskie, stanowisko 2. *SPA* 49: 109-126.
- Koško A., J.J. Langer, M. Szmyt
- 1999 Painted Pottery as a Symptom of Tripolye "Influence" in the Circle of Neolithic Vistula Cultures, In: A. Koško (Ed.) *The Western Border Area of the Tripolye Culture. BPS* 9: 282-288.

Kośko A., A. Przybył

- 2003 Kultura pucharów lejkowatych. In: J. Bednarczyk (Ed.) *Od długich domów najstarszych rolników do dworu staropolskiego. Wyniki badań na trasie gaziociągu Mogilno-Włocławek i KPMG Mogilno-Wydartowo* (in print).

Kovaleva I.F.

- 1982 Katakombnye pogrebeniya Orel-Samarskogo mezhdurechya. *Drevnosti stepnego Podneprovyia (III - I tys. Do n.e.)*, 35-45. Dnipropetrovsk.
- 1983 *Pogrebalniy obryad i ideologiya rannikh skotovodov (po materialam kultur bronzovogo veka Levoberezhnoy Ukrainy)*. Dnipropetrovsk.
- 1984 *Sever Stepnego Podneprovyia v eneolite – bronzovom veke*. Dnipropetrovsk.
- 1987 *Istoriya naseleniya pogranicha lesostepi i stepi Levoberezhnogo Podneprovyia v eneolite – bronzovom veke*. Avtoreferat dissertatsii doktora istoricheskikh nauk. Kiev.

Kovaleva I.F., S.E. Mukhopad, V.I. Shalobudov

- 1995 Raskopki kurganov v Dneprovskom Nadporozhe. *Problemy arkheologii Podneprovyia*, 4-35. Dnipropetrovsk.

Kovaleva I.F., V.I. Shalobudov

- 1992 Kurgan epokhi bronzы u s. Borovkovka. In: *Drevnosti Stepnego Prichernomorya i Krymu*, 57-63. Zaporizhzhia.

Kovaleva I.F., S.S. Volkoboy

- 1976 Maiivskiy lokalniy variant zrubnoy kultury. *Arkheologiya* 20: 3-22.

Kovalyukh N.N., S.V. Nazarov

- 1990 O kalibratsii radiouglerodnykh dat v arkheologicheskikh issledivaniyakh. *Materialy i Sprawozdania* 20: 5-13. Rzeszów.
- 1999 Radiocarbon dating calibration in archaeological studies. In: A. Kośko (Ed.) *The Foundations of Radiocarbon Chronology of Cultures between the Vistula and Dnieper: 3150-1850BC*. *BPS* 7: 12-26.

Kovalyukh N., V. Skripkin, V.I. Klochko, S. Lysenko

- 1998a Izotopnaya chronologiya arkheologicheskogo pamyatnika Malopolovetske (Ukraine). In: A. Kośko, J. Czebreszuk (Eds) „*Trzciniac*” – *system kulturowy czy interkulturowy proces?*, 87-94. Poznań.
- 1998b Absolute (radiocarbon) chronology of the eastern Trzciniac culture in the Dnieper basin (The Malopolovetske burial site). In: A. Kośko (Ed.) *The Trzciniac Area of the Early Bronze Age Civilization: 1950-1200 BC*. *BPS* 6: 130-40.

Kovalyukh N.N., M. Videiko, V. Skripkin

- 1996 The absolute chronology of the Sofievka-type cemeteries. In: A. Kośko (Ed.) *Cemeteries of the Sofievka Type: 2950-2750*. *BPS* 3: 140-146.

Kovpanenko G.T., V.B. Fomenko

- 1986 Pokhovannya doby eneolitu-rannioy bronzы na pravoberezhi Pivdenного Bugu. *Arkheologiya* 55: 10-25.

Kowalczyk J.

1968 Dwa zespoły neolityczne datowane radiowęglem. *WA* 33 (3-4): 368-374.

Kozenkova V.I.

1977 Kobanskaya kultura. Vostochniy variant. *Svod arkheologicheskikh istochnikov* V2-5. Moskva.

Kozlovska V.

1930 Novishi arkheologichni doslidy na tereni Bilotserkivshchyny. In: *Khronika arkheologii ta mystetstva* 2: 39-48. Kiev.

Krautwurst R.

2002 Zur Bedeutung der schnurkeramischen Weltenleistenkeramik. In: J. Müller (Ed.) *Vom Endneolithicum zur Frühbronzezeit: Musten sozialen Wandels? Universitätsforschungen zur Prähistorischen Archäologie* 90: 89-96.

Kravchenko N.M., L.V. Petrauskene

1993 Doslidzhennya bagatosharovogo poselennya Malopolovetske-II. In: *Arkheologichni doslidzhennya na Ukraini 1992 r.*, 79-80. Kiev.

Kruk J., S. Milisauskas

1981 Wyżynne osiedle neolityczne w Bronocicach, woj. kieleckie. *AP* 26 (1): 65-114.

1983 Chronologia absolutna osadnictwa neolitycznego z Bronocic, woj. kieleckie. *AP* 28: 257-320.

1990 Radiocarbon dating of Neolithic assemblages from Bronocice. *PA* 37: 195-228.

1991 Neolithic Upland Settlement at Bronocice. In: D. Jankowska (Ed.) *Die Trichterbecherkultur. Neue Forschungen und Hypothesen. Material des Internationalen Symposium, Dymaczewo, 20-24 September 1988* 2: 173-180. Poznań.

1999 *Rozkwit i upadek społeczeństw rolniczych neolitu*. Kraków.

Krushelnitska L.I.

1998 *Chornoliska kultura Serednogo Pridnistrovya*. Lviv.

Kruts V.A.

1977 *Pozdnetripolskie pamyatniki Srednego Podneprovya*. Kiev.

Kruts V.O., S.M. Ryzhov

1985 Fazy rozvytku pamyatok Tomashivsko-Sushkivskoy grupy. *Arkheologiya* 51: 45-56.

Krylova L.P., A.I. Kubyshev, E.V. Yakovenko

1967 Kurgany u s. Krasnoe. In: *Pamyatniki epokhi bronzy yuga evropeyskoy chasti SSSR*, 53-59. Kiev.

Kryvaltsevich M.M.

1995 Pomniki tshtsinetskaga chasu na poudni Belarusi. *Gistarychna-arkhealagichny zbornik* 6: 3-32.

- 1996 Grave of the Middle Dnieper Culture from Prorva, site 1 (Gomel region, Belarus). In: A. Koško (Ed.) *The Eastern Exodus of the Globular Amfora People: 2950-2350 BC*. *BPS* 4: 92-102.
- 1997 Z badań nad kulturą trzciniecką na Polesiu Białoruskim w dorzeczu Prypeci. *Folia Praehistorica Posnaniensia* 7: 69-97.
- 2001a *Spravazdacha ab arkhealagichnym dosledavanyakh na Byeloruskim Polessi i Podnapraui v 2000 godze*. Arkhiv NAN Belorusi. Minsk.
- 2001b „Shnuravy garyzont” na Belarusi: problemy identyfikatsii i genezisa. In: J. Czebreszuk, M. Kryvalcevič, P. Makarowicz (Eds) *Od neolityzacji do początków epoki brązu. Przemiany kulturowe w międzyrzeczu Odry i Dniepru między VI i II tys, przed Chr.* *Archaeologia Bimaris* 2: 315-326. Poznań.
- 2001c Supolnasti Belaruskaga Palessya i lesastepau-stepau u epokhu bronzy: prablemy kulturnykh suvyazyau. In: J. Czebreszuk, M. Kryvalcevič, P. Makarowicz (Eds) *Od neolityzacji do początków epoki brązu. Przemiany kulturowe w międzyrzeczu Odry i Dniepru między VI i II tys, przed Chr.* *Archaeologia Bimaris* 2: 315-326. Poznań.
- Kryvaltsevich M. M., E. Kalechyts
2000 Some "A-Horizon" Components of the Early Corded Ware Culture in Western Belarus. *Lietuvos Archeologiya* 19: 167-174.
- Kryvaltsevich M.M., N.N. Kovalyukh
1999 Radiocarbon Dating of the Middle Dnieper Culture from Belarus. In: A. Koško (Ed.) *The Foundations of Radiocarbon Chronology of Cultures between the Vistula and Dnieper: 3150-1850BC*. *BPS* 7: 151-162.
- Kukawka S.
1987 Elementy północno-wschodnie w rozwoju społeczeństw kultury pucharów lejkowatych na ziemi chełmińskiej. In: T. Wiślański (Ed.) *Neolit i początki epoki brązu na ziemi chełmińskiej*, 141-165. Toruń.
1989 Elementy północno-wschodnie w rozwoju społeczeństw kultury pucharów lejkowatych w świetle badań chełmińskiego mezoregionu osadniczego. *Acta Universitatis Nicolai Copernici* 16: 3-27.
1991 *Kultura pucharów lejkowatych na Ziemi Chełmińskiej*. Toruń.
1997 *Na rubieży środkowoeuropejskiego świata wczesnorolniczego. Społeczności ziemi chełmińskiej w IV tys. p.n.e.*. Toruń.
2001 Związki ugrupowań kultury pucharów lejkowatych z ludami kręgu kultury Narwa. In: J. Czebreszuk, M. Kryvalcevič, P. Makarowicz (Eds) *Od neolityzacji do początków epoki brązu. Przemiany kulturowe w międzyrzeczu Odry i Dniepru między VI i II tys, przed Chr.* *Archaeologia Bimaris* 2: 75-84. Poznań.
- Kushtan D.P.
2001 Pamyatky z keramikoyu malopolovetskogo typu na Cherkashchyni. In: *Et-nokulturni protsesy u Serednomu Podniprovi za materialamy arkheologich-nikh doslidzhen*, 14-16. Kiev.

Kurzawa J.

- 2001 *Zagadnienie najwcześniejszych faz kultury ceramiki sznurowej na Nizinie Wielkopolsko-Kujawskiej*. Poznań.

Kwaśniewski K.

- 1987 Integracja kulturowa. In: Z. Staszczak (Ed.) *Słownik etnologiczny. Terminy ogólne*, 163-164. Poznań.

Lagodovska O.F., O.G. Shaposhnikova, M.L. Makarevich

- 1962 *Mykhailivske poselennya*. Kiev.

Lakiza V.L.

- 2001 Kulturna-khranalagichnaya klasifikatsyya starazhytnastsyau bronzavaga ve-ku Belaruskaga Panyamonnya. In: J. Czebreszuk, M. Kryvalcevič, P. Makarowicz (Eds) *Od neolityzacji do początków epoki brązu. Przemiany kulturowe w międzyrzeczu Odry i Dniepru między VI i II tys, przed Chr. Archaeologia Bimaris 2: 291-314*. Poznań.

Lewandowski S.

- 1978 Cmentarzysko epoki brązu i wczesnej epoki żelaza w Paluchach, woj. Przemysł. *SPA 30: 129-150*.

Lillie M., M. Richards

- 2000 Stable Isotope Analysis and Dental Evidence of Diet at the Mesolithic-Neolithic Transition in Ukraine. *Journal of Archaeological Science 27: 965-972*.

Litvinenko R.A.

- 1994 *Srubna kultura baseynu Siverskogo Dontsa (za materialami pokhovalnykh pamyatok)* Avtoreferat dissertatsii kandidata istoricheskikh nauk. Kiev.
- 1998 Nakonechniki strel kultury mnogovalikovoy keramiki. In: *Doba bronzы Dono-Donetskogo regionu*, 46-52. Luhansk.
- 1999 Periodizatsya srubnykh pamyatnikov Severo-Vostochnogo Priazovya. *Drevnosti Severo-Vostochnogo Priazovya 4: 23*.
- 2002 Voprosy odnositelnoy khronologii pogrebeniy babinskoy kultury Dnepro-Donskogo regiona. *Donetskiy arkheologicheskiy sbornik 10: 135-159*. Donetsk.
- 2003 Kulturno-taksonomichniy status pamyatok tipu Babine III. *Istorichni i politologichni doslidshennya 3/4 (15/16): 38-45*.

Lysenko S.D.

- 1998a Rezultaty issledovaniya mogilnika Malopolovetske-3 na Kievshchine v 1993-1997 gg. In: A. Koško, J. Czebreszuk (Eds), „*Trzciniac*” – *system kulturowy czy interkulturowy proces?*, 179-192. Poznań.
- 1998b K voprosu o pamyatnikakh s keramikoy malopolovetskogo tipa. In: *Problemy izucheniya katakombnoy kulturno-istoricheskoy obshchnosti (KKIO) i kulturno-istoricheskoy obshchnosti mnogovalikovoy keramiki (KIOMK)*, 91-97. Zaporizhzhia.

- 2001 *Seredne Podniprove za doby piznoi bronzy*. Avtoreferat dissertatsii kandidata istoricheskikh nauk. Kiev.
- 2002a K voprosu o prostranstvenno-vremennoy strukture tshinetskogo kulturnogo kruga. In: *Suchasni problemi arkheologii*, 128-130. Kiev.
- 2002b K voprosu o meste pamyatnikov belogrudovskogo typu v sisteme kultur epokhi pozdney bronzy Vostochnoy Evropy. In: *Arkheologiya ta etnologiya Skhidnoy Evropy* 3: 92-93. Odesa.
- 2002c K voprosu o lokalizatsii komunikatsii epokhi pozdney bronzy v Pravoberezhnoy lesostepi. In: *Istorychna nauka: problemy rozvytku*, 104-111. Luhansk.
- Lysenko S.D., D.P. Kushtan
1997 Pro vydilennya pamyatok z keramikoyu malopolovetskogo typu. In: *V Mizhnarodna konferentsiya studentiv i molodykh uchenykh*, 109-112. Kiev.
- Lysenko S.D., S.S. Lysenko
1998 Issledovaniya na mogilnike Malopolovetskoe-3 v 1998 g. In: *Arkheologichni vidkryttya v Ukraini 1997-1998 rr.*, 101-106. Kiev.
- 2000 Issledovaniya na mogilnike Malopolovetskoe-3 v 1994 g. In: *Arkheologichni doslidzhennya na Ukraini 1994-1996 rr.*, 86-88. Kiev.
- 2001 Issledovaniya na mogilnike Malopolovetskoe-3 v 2000 g. In: *Arkheologichni vidkryttya v Ukraini 1999-2000 rr.*, 147-159. Kiev.
- 2002 Issledovaniya na mogilnike Malopolovetskoe-3 v 2001 g. In: *Arkheologichni vidkryttya v Ukraini 2000-2001 rr.*, 168-177. Kiev.
- Lysenko S.D., S.S. Lysenko, O.P. Zhuravlev
1999 Issledovaniya na mogilnike Malopolovetskoe-3 v 1999 g. In: *Arkheologichni vidkryttya v Ukraini 1998-1999 rr.*, 116-121. Kiev.
- Łanczont M., J. Nogaj-Chachaj, K. Klimek
1999 Komunikat o postępie prac w realizacji programu badawczego pt. Przemiany środowiska przyrodniczego dorzecza Mleczki Wschodniej (Wysoczyzna Kańczucka) w rejonie Cieszacina Wielkiego. *Rocznik Przemyski. Archeologia* 36-1: 113-118.
- Machnik J.
1966 *Studia nad kulturą ceramiki sznurowej w Małopolsce*. Kraków.
1979 Krąg kultury ceramiki sznurowej. In: W. Hensel, T. Wiślański (Ed.) *PZP* 2: 337-411.
1981 Die Verbreitung und Chronologie der Chłopice-Veselé Kultur. *SLA* 29: 297-311.
1991 *The Earliest Bronze Age in the Carpathians Basin*. Bradford.
1997 Zwei Entwicklungswege der Schnurkeramikultur in den Flussgebieten der oberen Weichsel, Bug und Dnestr. In: P. Siemen (Ed.) *Early Corded Ware Culture. The A-Horizon - fiction or fact?*, 147-156. Esbjerg.

- 1998 Stan i perspektywy badań kultury ceramiki sznurowej w międzyrzeczu górnej Wisły, Bugu i Dniestru. *SPA* 50: 128-134.
- 1999 Radiocarbon chronology of the Corded Ware Culture on Grzęda Sokalska. A Middle Dniepr traits perspectives. In: A. Koško (Ed.) *The Foundations of Radiocarbon Chronology of Cultures between the Vistula and Dnieper: 3150-1850BC*. *BPS* 7: 221-250.
- 2001 Kultura ceramiki sznurowej w strefie karpackiej (stan i perspektywy badawcze). In: *Neolit i początki epoki brązu w Karpatach Polskich*, 115-137. Krosno.
- Machnik J., J. Bagińska, W. Koman
- 2001 Nowa, synkretyczna grupa kultury ceramiki sznurowej w Polsce środkowo-wschodniej. In: *Problemy epoki kamienia na obszarze Starego Świata. Księga Jubileuszowa dedykowana Januszowi K. Kozłowskiemu*, 389-400. Kraków.
- Machnik J., W. Cyhyłyk
- 2001 Z badań polsko-ukraińskiej ekspedycji archeologicznej w międzyrzeczu Sanu i górnego Dniestru. In: *Z archeologii Ukrainy i Jury Ojcowskiej. From the Archaeology of Ukraine and the Ojców Jura*. 447-459. Ojców.
- Machnik J., P. Maćala
- 2000 General results of the Polish-Slovak interdisciplinary research around the Lower Beskid Mountains, Carpathians. In: J. Machnik (Ed.) *Archaeology and Natural Background of the Lower Beskid Mountains, Carpathians, part I. Prace Komisji Prehistorii Karpat PAU* 2: 7-19.
- Machnik J., D. Pawliw, W. Petehyrycz, I. Prynada
- 2000 Prahisteryczne kultury na podkarpackich wysoczyznach górnego Dniestru. Śladami dawnych odkrywców. In: *150 lat Muzeum Archeologicznego w Krakowie*, 185-204. Kraków.
- Machnik J., A. Pilch
- 1997 Zaskakujące odkrycie zabytków kultury środkowodnieprzańskiej w Młodowie – Zakąciu koło Lubaczowa, w woj. przemyskiem. *SPA* 49: 143-170.
- Machnik J., E. Sosnowska
- 1996 Starożytna mogiła z początku III tysiąclecia przed Chr. ludności kultury ceramiki sznurowej w Średniej, gm. Krzywca. *Rocznik Przemyski. Archeologia* 32-3: 3-20.
- 1998 Kurhan kultury ceramiki sznurowej z przełomu III i II tysiąclecia przed Chrystusem w Woli Węgierskiej, gm. Rozwienica, woj. przemyskie (badania archeologiczne 1997 r.). *Rocznik Przemyski. Archeologia* 34-3: 3-20.
- Machnik J., E. Sosnowska, W. Cyhyłyk
- 1997 Osada ludności kultury ceramiki sznurowej z początku III tysiąclecia przed Chr. W Side koło Sambora (w świetle badań archeologicznych w 1996 r.). *Rocznik Przemyski. Archeologia* 33-5: 3-27.

Machnik J., T. Tkaczuk

- 2003 Interesting and important artifacts from the beginning of Bronze Age in the vicinity of Halicz (upper basin of the Dniestr River). In: E. Jerem, P. Raczky (Eds) *Morgenrot der Kulturen. Frühe Etappen der Menschheitsgeschichte in Mittel- und Südosteuropa. Festschrift für Nandor Kalicz zum 75 Geburtstag*, 483-496. Budapest.

Makarevich M.L.

- 1940 Arkheologichni doslidzhennya v s. Bilyi Kamin. In: *Trypilska kultura*, 453-475, Kiev.

Makarowicz P.

- 1998 Absolute chronology of the Trzciniec complex in the Vistula drainage in the light of C^{14} datings. In: A. Koško (Ed.) *The Trzciniec Area of the Early Bronze Age Civilization: 1950-1200 BC. BPS 6*: 141-155.
- 1989 *Osada kultury iwieńskiej w Rybinach, woj. wrocławskie, stanowisko 14*. Inowrocław.
- 1998a *Rola społeczności kultury iwieńskiej w genezie trzcinieckiego kręgu kulturowego (2000-1600 BC)*. Poznań.
- 1998b Absolute Chronology of the Trzciniec Cultural Circle in the Vistula Drainage in the Light of ^{14}C Datings. In: A. Koško (Ed.) *The Trzciniec Area of the Early Bronze Age Civilization: 1950-1200 BC. BPS 6*: 141-155.
- 1998c Taxonomic Foundations of the Trzciniec Cultural Circle on the Lower Vistula. In: A. Koško (Ed.) *The Trzciniec Area of the Early Bronze Age Civilization: 1950-1200 BC. BPS 6*: 19-31.
- 2000a Osadnictwo społeczności kultury iwieńskiej oraz trzcinieckiego kręgu kulturowego (2400-1400/1300 BC). In: A. Koško (Ed.) *Archeologiczne badania ratownicze wzdłuż trasy gazociągu tranzytowego. Vol. III, Kujawy. Part 4, Osadnictwo kultur późnoneolitycznych oraz interstadium epok neolitu i brązu: 3900-1400/1300 przed Chr.*, 457-550. Poznań.
- 2000b *Osadnictwo społeczności z wczesnej epoki brązu w Rybinach, woj. kujawsko-pomorskie, stanowisko 17*. Poznań.
- 2001a The Second Half of the Third and Second Millennium BC in Kujawy, Northern Poland, in the Light of ^{14}C Determinations. In: J. Czebreszuk, J. Müller (Eds) *Die absolute Chronologie in Mitteleuropa 3000-2000 v. Chr.*, 209-270. Poznań-Bamberg-Rahden/Westf.
- 2001b Trzciniecka krąg kulturowy – wspólnota pogranicza Wschodu i Zachodu. In: J. Czebreszuk, M. Kryvalcevič, P. Makarowicz (Eds) *Od neolityzacji do początków epoki brązu. Przemiany kulturowe w międzyrzeczu Odry i Dniepru między VI i II tys, przed Chr.* *Archaeologia Bimaris 2*: 351-360. Poznań.

- Maleyev Y.M.
 1996 Selected Graves of Globular Amphora Culture from Volhynia and Podola. In: A. Koško (Ed.) Eastern Exodus of the Globular Amphora People: 2950-2350 BC. *BPS* 4: 53-61.
- Maleyev Y.M., B. Pryshchepa
 1996 Grave of Globular Amphora Culture from Tovpyzhyn (District of Rivne, Ukraine). In: A. Koško (Ed.) Eastern Exodus of the Globular Amphora People: 2950-2350 BC. *BPS* 4: 62-69.
- Mallory J.P., D.Y. Telegin
 1994 Poyava kolesnogo transportu na Ukraini za radiokarbonnyy danymy. In: *Problemy khronologii kultur eneolita – bronzovogo veka Ukrainy i Yugo-Vostochnoy Evropy*, 30-31. Dnipropetrovsk.
- Manko V.A., S.A. Telizhenko
 2002a *Katalog radiokarbonnykh dat*. Luhansk.
 2002b *Mezolit, neolit i eneolit Podonechya*. Luhansk.
- Manning S., B. Weninger
 1992 A light in the dark: archaeological wiggle matching and the absolute chronology of the close of the Aegean Late Bronze Age. *Antiquity* 66: 636-663.
- Mantu C.-M.
 1998 *Cultura Cucuteni. Evolutie, chronologie, legaturi*. Piatra-Neamt.
- Marina Z.P.
 1982 Periodizatsiya i khronologiya pogrebeniy yamnoy kultury mezhdurechya Oreli i Samary. In: *Kurgannye drevnosti stepnogo Podneprovya*. Dnipropetrovsk.
 1982a O pogrebeniyakh tak nazyvaemogo yamno-katakombnogo tipa. In: *Drevnosti Stepnogo Podneprovya (III - I tys. Do n.e.)*, 46-50. Dnipropetrovsk.
 1982b *Eneolit – ranniy bronzoviy vek Stepnogo levoberezhya Dnepra*. Avtoreferat dissertatsii kandidata istoricheskikh nauk. Moskva.
 1990 Pozdneyamnye pogrebeniya Levoberezhya Dnepra i ikh sootnoshenie s pamyatnikami katakombnoy kultury. In: *Problemy izucheniya katakombnoy KIO*, 45-46. Zaporizhzhia.
- Marina Z.P., V.A. Romashko, E.L. Feshchenko, P.V. Voytyuk
 1990 Kurganniy mogilnik u s. Verbki. In: *Issledovaniya po arkheologii Podneprovya*, 22-38. Dnipropetrovsk.
- Marina Z.P., V.A. Romashko, A.B. Severin
 1995 Kurgany epokhi bronzy u s. Bogdanovka v Prisamare. In: *Problemy arkheologii Podneprovya*, 3-24. Dnipropetrovsk.
- Maruszczak H.
 1998 Wpływ gospodarki neolitycznej na rozwój tzw. czarnoziemów hrubieszowsko-tomaszowskich (Uwagi do dyskusji nad genezą czarnoziemów w Polsce). *Przegląd Geograficzny* 70-3/4: 333-342.

Matasă C.

- 1940a Cercetări din preistoria județului Neamț. *Buletinul Comisiunii Monumentelor Istorice, București* 31(97) (1938): 1-41.
- 1940b Săpături de preistorie în județul Neamț. *Buletinul Comisiunii Monumentelor Istorice, București* 33(103): 38-42.
- 1959 Descoperiri arheologice în raionul Piatra Neamț. *Materiale și cercetări arheologice* 5: 723-734.

Matoga A.

- 1987 Problem przynależności kulturowej grobów szkieletowych z Bocheńca, woj. kieleckie. In: *Kultura trzcinińska w Polsce*, 119-131. Kraków.

Mazurik Y., S. Panyshko

- 1998 Nova pokhovalna pamyatka kultury kulyastikh amfor na Volini. In: *Vólino-Podilski Arkheologichni Studii* 1: 129-130. Lviv.

Melnik A.A.

- 1984 *Otchet Krivorozhskogo istoriko-kraevedcheskogo muzeya o raskopkakh i razvedkakh po teme: "Arkheologicheskaya karta pamyatnikov srednego techeniya r. Ingulets"*. NA IA NANU: 1984/94.
- 1986 *Otchet Krivorozhskogo istoriko-kraevedcheskogo muzeya o raskopkakh 1986 goda*. NA IA NANU: 1986/53.

Melyukova A.I.

- 1979 *Skifya i frakiyskiy mir*. Moskva

Merpert N.Y.

- 1968 *Drevneyshaya istoriya naseleniya stepnoy polosy Vostochnoy Evropy (III - nach. II tys. Do n.e.)*. Avtoreferat dissertatsii doktora istoricheskikh nauk. Moskva.
- 1974 *Drevneyshye skotovody Volgo-Uralskogo mezhdurechya*. Moskva.

Mihăilescu-Bîrliba V.

- 2001 Mormântul unei tinere căpetenii de la începutul Epocii Bronzului (Mastacân, jud. Neamț – "Cultura Amforelor Sferice"). *Memoria Antiquitatis. Acta Musei Petrodavensis* 22: 157-217.

Mikhaylov B.D.

- 1990 Kurgan epokhi bronzy v bassejne reki Molochnoy. In: *Drevnosti Severnogo Prichernomor'ya i Krymu*, 107-116. Zaporizhzhia.

Movsha T.G.

- 1985 Pozdnyy etap tripolskoy kultury. In: *Arkheologiya Ukrainskoy SSR* 1: 223-263. Kiev.

Müller J.

- 1999 Radiokarbonchronologie-Keramiktechnologie-Osteologie-Anthropologie-Raumanalysen. Beiträge zum Neolithikum und zur Frühbronzezeit im Mittelbe-Saale-Gebiet. Teil 1. *BerRGK* 80: 25-211.

- 2001 *Soziochronologische Studien zum Jung- und Spätneolithikum im Mittelbe-
-Saale-Gebiet (4100-2700 v. Chr.)*. Rahden/Westf.
- 2002 Zur Belegungsabfolge des Gräberfeldes von Tresur: Argumente der typo-
logieabhängigen Datierungen. *Prähistorische Zeitschrift* 77: 148-158.
- Necrasov O., S. Antoniu, C. Fedorovici
1972 Nouvelles données sur les squelettes de la culture des amphores sphériques
trouvées en Moldavie. *Annuaire roumaine d'anthropologie* 9: 9-25.
- Necrasov O., M. Cristescu, D. Botezatu, M. Miu
1990 Cercetări paleoantropologice privitoare la populațiile de pe teritoriul Ro-
mâniei. *Arheologia Moldovei* 13: 173-223.
- Necrasov O., M. Cristescu
1959 Étude anthropologique des squelettes énéolithiques de Dolheștii Mari
(Tombe à ciste). *Analele Științifice ale Universității "Arp I. I. Cuza" Iași*
V(1): 47-60.
1965 Données anthropologiques sur les populations de l'âge de la pierre en
Roumanie. *Homo* 16(3): 129-161.
- Némejcová-Pavúková V.
1999 Bemerkungen zur Frühbronzezeit in Westbulgarien und Nordostgriechen-
land (im Licht der "Importe" aus dem Karpatenbecken). *SLA* 47: 41-
-65.
- Nestor I.
1933 Der Stand der Vorgeschichtsforschung in Rumänien. *BerRGK* 22 (1932):
11-181.
- Nikolova A.V.
1992 *Khronologicheskaya klassifikatsiya pamyatnikov yamnoy kultury stepnoy zony
Ukrainy*. Avtoreferat dissertatsii kandidata istoricheskikh nauk. Kiev.
1999a Radiocarbon Dates from the Graves of the Yamnaya Culture of the Ingu-
lets River (the Kirovograd Region). In: A. Koško (Ed.) *The Foundations
of Radiocarbon Chronology of Cultures between the Vistula and Dnieper:
3150-1850BC*. *BPS* 7: 80-102.
1999b Radiocarbon dating of the Graves of the Yamnaya and Catacomb Cultu-
res on the Dnieper Right Bank. In: A. Koško (Ed.) *The Foundations of
Radiocarbon Chronology of Cultures between the Vistula and Dnieper:
3150-1850BC*. *BPS* 7: 103-128.
2001a Nekotorye voprosy absolyutnogo datirovaniya pamyatnikov eneolita-bronzy
Pravoberezhnoy Ukrainy. In: *Doba bronzy Dono-Donetskogo regionu*, 78-80.
Kiev-Voronezh.
2001b Khronologiya yamnoy i katakombnoy kultur stepnoy Ukrainy: nekotorye
voprosy datirovki metodom ¹⁴C. In: *Bronzoviy vek Vostochnoy Evropy: kha-
rakteristika kultur, khronologiya i periodizatsiya*, 104-107. Samara.

Nikolova A.V., G.O. Akinfiev

- 1994 Metod avtomatyzovanogo khronologichnogo uporyadkuvannya arkhеologichnykh pamyatok za stratygrafichnyimi danymi. In: *Teoria ta praktyka arkhеologichnykh doslidzhen*, 190-214. Kiev.

Nikolova A.V., E.P. Bunyatyan

- 1991 Pogrebenie "mastera" s Nikopolshchiny. In: *Katakombnye kultury Severnogo Prichernomorya*, 128-136. Kiev.

Nikolova A.V., L.A. Chernykh

- 1997 Do odney kontseptsii sotsyalnogo rozvytku nosiyv katakombnoy kultury. *Arkheologiya* 1: 130-139.

Nikolova A.V., T.I. Mamchich

- 1997 Do metodyky klasyfikatsii posudu yamnoy kultury. *Arkheologiya* 3: 101-114.

Otroshchenko V.V.

- 1972 *Otchet o rabote Stepnogo otryada Zaporozhskoy postoyanno deystvuyushchey ekspeditsii*. NA IA NANU: 1972/36b. Kiev.
- 1975 Noviy kurganniy mogilnik belozerskogo vremeni. In: *Skifskiy mir*, 193-206. Kiev.
- 1976a Konstruktivniye osobennosti dlinnykh kurganov Nizhnego Podneprovya. In: *Otkrytya molodykh arkhеologov Ukrainy* 1: 16-18. Kiev.
- 1976b Pogrebeniya s trupozozhzheniem u plemen srubnoy kultury Nizhnego Podneprovya. In: *Eneolit i bronzoviy vek Ukrainy*, 172-190. Kiev.
- 1981 *Srubnaya kultura Nizhnego Podneprovya (po materialam pogrebalnykh pamyatnikov)*: Avtoreferat dissertatsii kandidata istoricheskikh nauk. Kiev.
- 1985 Belozerskaya kultura. In: *Arkheologiya Ukrainской SSR* 1, 324-330. Kiev.
- 1986 Belozerskaya kultura. In: *Kultury epokhi bronzy na territorii Ukrainy*, 117-52. Kiev.
- 1990 Katakombnaya obshchnost – srubnaya obshchnost: vozmozhnost kontakta. In: *Problemy izucheniya katakombnoy kulturno-istoricheskoy obshchnosti*, 76-78. Zaporizhzhia.
- 1994 O dvukh linyakh razvitya kultur srubnoy obshchnosti. In: *Problemy skifosarmatskoy arkhеologii Severnogo Prichernomorya* 1: 150-53. Zaporizhzhia.
- 1998 Westbeziehungen der Belozerka-Kultur. In: B. Hänsel, J. Machnik (Eds) *Das Karpatenbecken und osteuropäische Steppe*, 353-60. München.
- 2000 *Istoriya plemen srubnoy spilnosti*. Avtoreferat dissertatsii doktora istoricheskikh nauk. Kiev
- 2001 *Problemy periodizatsii kultur serednoy ta piznoy bronzy pivdnya skhidnoy Evropy (kulturno-stratygrafichni zistavlennya)*. Kiev.

Otroshchenko V.V., Y.Y. Rassamakin

- 1983 *Otchet Zaporozhskoy ekspeditsii za 1983 g.* NA IA NANU: 1983/1.

Palaguta I.V.

1996 Kulturna nalezhnist pamyatok serednoy ta piznoy bronzy Cherkaskogo Livoberezhzhya. *Arkheologiya* 1: 61-69.

2001 Problemy izucheniya keramiki kak indikatora kultur epokhi bronzy Srednego Podneprovya. In: *Bronzoviy vek Vostochnoy Evropy: kharakteristika kultur, khronologiya i periodizatsiya*, 253-257. Samara.

Patokova E.F., V.H. Petrenko, L.Y. Polishchuk, N.B. Burdo

1989 *Pamyatniki tripolskoy kultury v Severo-Zapadnom Prichernomore*. Kiev.

Pavúk J.

2000 Das Epilengyel/Lengyel IV als Kulturhistorische Einheit. *SLA* 48: 1-26.

Petrescu-Dîmbovița M.

1977 *Depozitele de Bronzuri din România*. București.

Piontek J., P. Sobczyk, M. Szmyt

2004 Grobowiec ludności kultury amfor kulistych w Nakonowie na Kujawach (in preparation).

Polidovich Y.B.

1993 Novye pogrebalnye pamyatniki epokhi bronzy s territorii Donetskoy oblasti. *Arkheologicheskiy almanakh* 2: 35-98. Donetsk.

Polidovich Y.B., V.V. Tsimidanov

1996 Srubniy pogrebalniy kompleks iz Rusinogo Yara. In: *Severo-vostochnoye Priazovye v sisteme evraziyskikh drevnostey (Eneolit - bronzoviy vek)* 1: 100-105. Donetsk.

Polin S.V., L.A. Chernykh, S.M. Kupriy

2001 Raboty Ordzhonikidze ekspeditsii v 1999-2000 gg. *Arkheologichni vidkryttya v Ukraini 1999-2000 rr.*, 28-33. Kiev.

2002 Kurgany epokhi bronzy i skifskogo vremeni u g. Ordzhonikidze. *Arkheologichni vidkryttya v Ukraini 2000-2001 gg.*, 219-224. Kiev.

Posern-Zieliński A.

1987 Synkretyzm kulturowy. In: Z. Staszczak (Ed.) *Słownik etnologiczny. Terminy ogólne*. 337-339. Poznań.

Prinke D., M. Szmyt

1990 From Studies of Development of the so called Refugial Ecumene of Neolithic Communities in Zielona Struga Catchment Area. In: A. Cofta-Broniewska (Ed.) *New Tendencies in Studies of Globular Amfore culture. Archaeologia Interregionalis* 11: 63-101.

Pryakhin A.D., Y.P. Matveev, B.I. Besedin

1991 *Srednedonskaya katakombnaya kultura: proiskhozhdenie, etapy razvitya*. Voronezh.

Pustovalov S.Z.

- 1980 K metodike khronologicheskikh issledovaniy po dannym pogrebalnogo obryada katakombnoy kultury. In: *Tezisy dokladov XVIII konferentsii IA AN USSR*, 56-57. Dnipropetrovsk.
- 1982 K metodike periodizatsii katakombnoy kultury po dannym pogrebalnogo obriada. In: *Novye metody issledovaniy v arkheologii*, 12-25. Kiev.
- 1987 *Etnotipologiya katakombnoy kultury Severnogo Prichernomorya*. Avtoreferat dissertatsii kandidata istoricheskikh nauk. Kiev.
- 1990 O formakh politogeneza v katakombnom obshchestve Severnogo Prichernomorya. In: *Problemy izucheniya katakombnoy kulturno-istoricheskoy obshchnosti*, 78-81. Zaporizhzhia.
- 1991a Do rekonstruktsii sotsyalnogo organizmu za materialami katakombnykh pamyatok Pivnichnogo Prichernomorya. In: *Pokhvalniy obryad davnego naselennya Ukrainy*, 104-122. Kiev.
- 1991b Osobennosti orientirovok katakombnykh pogrebeniy Severnogo Prichernomorya. In: *Drevnosti Stepnogo Prichernomorya i Krymu 2*: 56-92. Zaporizhzhia.
- 1992a *Vozrastnaya, polovaya i sotsyalnaya kharakteristika katakombnogo naseleniya Severnogo Prichernomorya*. Kiev.
- 1992b *Etnicheskaya struktura katakombnogo naseleniya Severnogo Prichernomorya*. Kiev.
- 1994 Deyaki problemy vyvchennya katakombnoy spilnosti Pivnichnogo Prichernomorya. In: *Problemy khronologii kultur eneolita – bronzovogo veka Ukrainy i Yugo-Vostochnoy Evropy*, 45-47. Dnipropetrovsk.
- 1995 O vozmozhnosti rekonstruktsii soslovno-kastovoy sistemy po arkheologicheskim materialam. In: *Drevnosti stepnogo Prichernomorya i Krymu 5*: 21-32. Zaporizhzhia.
- 1996 Sotsyalna systema katakombnogo suspilstva Pivnichnogo Prichernomorya. In: *Ukraina: ludyna, suspilstvo, priroda 2*: 24-25. Kiev.
- 1997 Do pytannya pro formuvannya kastovoy systemy. In: *Ukraina: ludyna, suspilstvo, priroda 3*: 13-15. Kiev.
- 1998 B voprosu o yamno-katakombnoy epokhe. In: *Problemy arkheologii Yugo-Vostochnoy Evropy*, 63-64. Rostov-na-Donu.
- 1999a Mnogosloynoe gorodishche na o. Khortitsa (Bayda). In: *Naukovi pratsi Istorychnogo fakultetu Zaporizkogo derzhavnogo universytetu 4*: 162-188. Zaporizhzhia.
- 1999b Modelirovanie litsa po cherepu u naseleniya ingul'skoy katakombnoy kultury. *Stratum plus 2*: 222-255.
- 1999c Molochanske svyatilishche. In: *Problemy arkheologii Podniprovyia*, 104-118. Dnipropetrovsk.
- 1999d Pytannya rekonstruktsii sotsyalnogo ladu katakombnogo suspilstva. *Arkheologiya 1*: 119-131.

- 1999e Rozkopky kurganu "Bobushka" (k.3, Chkalivska grupa). In: *Kulturologichni studii* 2: 141-164. Kiev.
- 2000a Etnosotsyalna kharakterystyka yamnogo suspilstva Pivnichnogo Prichernomorya. In: *Naukovi zapyski Universytetu Kyevo-Mohylyanska Akademiya* 18: 156-165.
- 2000b Stanovo-kastova systema yak model dlya rekonstruktsii starodavikh suspilstv. *Skhidny Svit* 2: 149-156.
- 2000c Novotitorovskiy fenomen: arkheologicheskaya kultura ili sotsyalnyy tsentr yamno-katakombnogo obshchestva? In: *Visnyk Dnipropetrovskogo universytetu. Istoriya ta arkheologiya* 8: 146-148.
- 2000d Yamnaya obshchnost i katakombnaya obshchnost: posledovatelnaya smena vo vremeni ili sosushchestovanie. In: *Problemy arkheologii Podniprovya*, 95-105. Dnipropetrovsk.
- 2001 Nasledie V.A. Gorodtsova i sovremennyye problemy periodizatsii pamyatnikov stepnoy zony. In: *Bronzoviy vek Vostochnoy Evropy. Kharakteristika kultur, khronologiya i periodizatsiya*, 42-50. Samara.
- Raczky P.
- 1991 New Data on the Southern Connections and Relative Chronology of the "Bodrogresztúr-Hunyadi halom" Complex. In: J. Lichardus (Ed.) *Die Kupferzeit als historische Epoche*, 329-346. Saarbrücken.
- Raetzl-Fabian D.
- 2000 *Calden. Erdwerk und Bestattungsplätze des Jungneolithikums. Architektur – Ritual – Chronologie*. Bonn.
- Rassamakin Y.Y.
- 1999 The Eneolithic of the Black Sea Steppe: Dynamics of Cultural and Economic Development 4500-2300 BC. In: M. Levine, Y. Rassamakin, A. Kislenko, N. Tatarintseva, *Late prehistoric exploitation of the Eurasian steppe*, 59-182. Cambridge.
- Rassamakin Y.Y., Y.G. Kolosov
- 1992 *Kurgannaya grupa u pgt. Prishib*. Preprint. Kiev.
- Rassamakin Y.Y., S.M. Kupriy
- 2001 Novye pozdnoeneoliticheskiye pogrebeniya stepnogo Dneprovskogo Pravoberezhya. In: *Arkheologichni vidkrytta v Ukraini 1999-2000 rr.*, 35-42. Kiev.
- Rezepkin A.D.
- 1991 Kurgan 31 mogilnika Klady. Problemy genezisa i khronologii maykopskoy kultury. In: *Drevnie kultury Prikubanya*, 190-200. Leningrad.
- 1995 K probleme sootnosheniya khronologii kultur epokhi eneolita - ranney bronzy severnogo Kavkaza i Tripolya. In: *Mezhdru Aziiy i Evropoy. Kavkaz v 4-1 tys. do n.e.*, 50-54. Sankt Petersburg.

Rimantienė R., T. Ostrauskas

- 1998 Dem Trzciniec gleichzeitige Siedlungen in Litauen. In: A. Koško, J. Czerebrenuk (Eds) „Trzciniec” – *system kulturowy czy interkulturowy proces?*, 203-215. Poznań.

Romashko V.A.

- 1979 Novye kimmeriyskie pamyatniki v materialakh ekspeditsii DGU. In: *Kurgannye drevnosti stepnogo Podneprovya III-I tys. do n. e.*, 104-110. Dnipropetrovsk.

Rybakov B.A.

- 1981 *Yazychestvo drevnich Slavyan*. Moskva.

Rybalova V.D.

- 1961 K voprosu o khronologii nekotorykh grupp pamyatnikov epokhi bronzы i rannego zheleza na Ukraine. *Arkheologichniy Sbornik Gosudarstvennogo Ermitazha 2*: 9-25.

Rybicka M.

- 1995 *Przemiany kulturowe i osadnicze w III tys. przed Chr. na Kujawach*. Łódź.
2001 Ceramika kultur pucharów lejkowatych ze stanowiska 4 w Babskich Budach, gmina Wiskitki, powiat Żyrardów. *Łódzkie Sprawozdania Archeologiczne 7*: 69-83.

Rychkov N.A.

- 1990 *Eticheskaya kharakteristika naseleniya yamnoy kultury Severnogo Prichernomor'ya (po materialam kurgannykh pamyatnikov)*. Avtoreferat dissertatsii kandata istoricheskikh nauk. Kiev.

Rykov P.S.

- 1923 Yamnye pogrebeniya so skorchennymi i okrashennymi kostyakami v kurganakh bliz g. Pokrovska Saratovskoy gubernii. *Trudy Obshchestva istorii, arkheologii i etnografii*. 34. Saratov.

Ryzhov S. N.

- 2000 Raspisnaya keramika tomashevskoy lokalno-khronologicheskoy gruppy tripolskoy kultury. *Stratum Plus 3*: 459-473.

Safronov V.A.

- 1974 Klassifikatsiya i datirovka pamyatnikov bronzovogo veka Severnogo Kavkaza. *Soobshcheniya nauchno-metodicheskogo soveta 7*. Moskva.

Samokvasov D.Y.

- 1892 *Osnovanie khronologicheskoy klassifikatsii i katalog kollektsii drevnostey*. Warszawa
1908 *Mogily Russkoy Zemli*. Moskva.

Samoylenko L.G.

- 1988 Kurgany yamnoy kultury v bassejne r. Bazavluk v Dneprovskom stepnom pravoberezh'e. In: *Novye pamyatniki yamnoy kultury stepnoy zony Ukrainy*, 64-79. Kiev.

- 1991 Kurganni pokhovannya bronzovogo viku poblyzu selyshcha Golubovskiy Luhanskoj oblasti. In: *Pokhovalniy obryad davnoho naselennya Ukrainy*, 134-150. Kiev.
- Sanzharov S.N.
 1999 O pozdnekatakombnykh pamyatnikakh ingul'skogo tipa na territorii Severo-Vostochnogo Priazovya. In: *Drevnosti Severskogo Donsa*, 44-61. Luhansk.
 2000 *Poseleniya neolita - ranney bronzy Severskogo Donsa*. Luhansk
- Sementsov A.A., E.A. Romanova, P.M. Dolukhanov
 1969 Radiouglerodnye daty laboratorii LOIA. *SA* 1: 251-261.
- Shaposhnikova O.G.
 1969 Pro pamyatki chasu katakombnoy kultury v Stepovomu Prydniprovi. *Arkheologiya* 21: 79-99.
 1971a *Otchet o rabote Ingul'skoy ekspeditsii za 1971 g.*. NA IA NANU: 1971/28.
 1971b Yamnaya kultura. In: *Arkheologiya URSS* 1: 263-280. Kiev.
 1978 Ingul'skaya kultura. In: *Tezisy dokladov XVII konferentsii Instituta Arkheologii AN USSR*, 56. Uzhgorod.
- Shaposhnikova O.G., V.S. Bochkarev, I.M. Sharafutdinova
 1977 O pamyatnikakh epokhi midi-bronzy v bassejne r. Ingula. In: *Drevnosti Poingulya*, 7-36. Kiev.
- Shaposhnikova O.G., V.N. Fomenko, N.D. Dovzhenko
 1986 *Yamnaya kulturno-istoricheskaya oblast (Yuzhno-bugskiy variant)*. Kiev.
- Sharafutdinova I.M.
 1972 Rozkopky kurganiv poblyzu s. Sokolovky na Inguli. In: *Arkheologichni doslidzhennya v Ukraini u 1969 rotsi*, 123-124. Kiev.
 1982 *Stepnoye Podneprove v epokhu pozdney bronzy*. Kiev.
- Shchepinskiy A.A., E.N. Cherepanova
 1969 *Severnoe Prisivashe v V - I tys. do n.e.* Simferopol.
- Shelomentsev-Terskiy S.
 1996 Settlement of Globular Amphora Culture in Peresopnitsa, the Volhynia Region (Ukraine). In: A. Koško (Ed.) *Eastern Exodus of the Globular Amphora People: 2950-2350 BC. BPS* 4: 70-78.
- Shishlina N.I., A.L. Aleksandrovskiy, O.A. Chichigov, J. Plicht
 2001 Khronologicheskaya pozitsiya yamnoy kultury severo-zapadnogo Prikaspya. In: *Bronzoviy vek Vostochnoy Evropy: kharakteristika kultur, khronologiya i periodizatsiya*, 64-66. Samara.
- Shmagliy N.M., I.T. Chernyakov
 1970 Kurgany stepnoy chasti mezhdurechya Dunaya i Dnestra. In: *Materialy po arkheologii Severnogo Prichernomor'ya*, 5-115. Odesa.
 1974 Frakiyskiy kenotaf u s. Zaliznychnoe. *SA* 2: 238-240.

Sibson R.

- 1977 Bayesian statistics. In: A. Bullock, O. Stallybrass (Eds) *The Fontana Dictionary of Modern Thought*, 55. London.

Simonovich E.A.

- 1954 Pogrebenie kimmerijskogo vremeni na Tiligulskom limane. *KSIA AN USSR* 3: 81-84. Kiev.

Sinitsyn I.V.

- 1948 Pamyatniki predskifskoy epokhi v stepiakh Nizhnego Povolzhya. *SA* 10: 45-50.

Sinyuk A.T.

- 1981 Repinskaya kultura epokhi eneolita – bronzy v bassejne Dona. *SA* 4: 8-20.
1996 *Bronzoviy vek bassejna Dona*. Voronezh.

Skripkin V.V., N.N. Kovalyukh

- 1998 Recent Developments in the Procedures Used at the SSCER Laboratory for the Routine Preparation of Lithium Carbide. *Radiocarbon* 40: 211-214.
1999 Radiocarbon LS dating of bone micro-samples. In: A. Koško (Ed.) *The Foundations of Radiocarbon Chronology of Cultures between the Vistula and Dnieper: 3150-1850BC*. *BPS* 7: 27-33.

Smirnova G.I.

- 1976 Magala-I i nekotorye voprosy khronologii pozdnekomarovskoy kultury v Prikarpatie. In: *Eneolit i bronzoviy vek Ukrainy*, 118-135. Kiev.
1985 Osnovy khronologii predskifskikh pamyatnikov yugo-zapada SSSR. *SA* 4: 33-53.
1986 Posledniy sezon rabot na chernoleskom poselenii Dnestrovka-Loka i vopros khronologii pozdnego chernolesia. *Arkheologichniy Sbornik Gosudarstvennogo Ermitazha* 27: 8-26.

Spinei V.

- 1970 Einige Betrachtungen über äneolitische Feuersteinbeile in der Moldau. *Dacia* 14: 25-50.

Spinei V., M. Nistor

- 1968 Un mormînt din lespezi de piatră în nordul Moldovei. *SCIV* 19(4): 621-628.

Spitsyn A.A.

- 1899 Kurgany so skorchenymi i okrashennymi kostyakami. *Zapiski Rossiyskogo Arkheologicheskogo Obshestva* 2-1/2: 3-97. Sankt Petersburg

Spitsyna L.A.

- 2000 Severskodonetskiy areal repinskoy kultury. In: *Drevnosti Severskogo Dontsa*, 53-75.

Starkel L.

- 1997 Rzeźba i środowisko przyrodnicze regionu samborskiego. *Rocznik Przemyski. Archeologia* 33-5: 33-38.

- 2001 Landscapes of the Lower Beskid Mountains and of their northern forceland between the Wisłok and Wisłoka rivers. In: J. Machnik (Ed.) *Archaeology and Natural Background of the Lower Beskid Mountains, Carpathians, part I. Prace Komisji Prehistorii Karpat PAU 2*: 137-143.
- Stegmann-Rajtár S.
1992 Spätbronze und früheisenzeitliche Fundgruppen des mittleren Donaugebiets. *BerRGK 73*: 29-180
- Subbotin L.V.
1985 Semenovskiy mogilnik epokhi eneolita-bronzy. In: *Novye materialy po arkeologii Severo-Zapadnogo Prichernomorya*, 45-95. Kiev.
1990 O vzaimovliyaniy pozdneyamnykh i katakombnykh plemen v Severo-Zapadnom Prichernomorie. In: *Problemy pervobytnoy arkeologii Severnogo Prichernomorya 1*: 51-53. Kherson.
- Sulimirski T.
1931 *Kultura wysocka*. Kraków.
1957-1959 *Polska przedhistoryczna 2*. Londyn.
1968 *Corded Ware and Globular Amphorae North-East of the Carpathians*. London.
- Sveshnikov (Swieszchnikow) I.K.
1967 Kultura komarowska. *AP 12/1*: 39-107.
1968 Bogatiye pogrebeniya komarovskoy kultury u s. Ivanya Rovenskoj oblasti. *SA 2*: 159-168.
1983 Kultura sharovidnykh amfor. *Svod Arkheologichnykh Istochnikov V1-27*. Moskva.
1990 Sredniy period bronzovogo veka Prikarpatya i Volyni. Tshinetsko-komarovskaya kultura. In: *Arkheologiya Prikarpatya, Volyni i Zakarpatya*, 78-88. Kiev.
- Szamałek K.
1992 Zmiany w technologii i stylu ceramiki z osad kultury łużyckiej świetle badań materiałów nadgoplańskich. *Fontes Archaeologici Posnanienses 37*: 5-22.
- Szamałek K., Z. Głogowski, M. Ignaczak
2003 Osadnictwo społeczeństw kultur cyklu łużyckiego w strefie nadnotecko-nadgoplańskiej. In: J. Bednarczyk, L. Czerniak, A. Kośko (Eds) *Archeologiczne badania ratownicze wzdłuż trasy gazociągu tranzytowego. Vol. III, Kujawy. Part 5, Osadnictwo społeczeństw kultur cyklu łużyckiego*. Poznań (in print).
- Szamałek K., U. Narożna-Szamałek
1997 Cmentarzysko ludności kultury łużyckiej w Lachmirowicach nad Gopłem. *Fontes Archaeologici Posnanienses 38*: 47-72.

Szczepanek K.

- 2001 Antropogenic vegetation changes in the region of the Dukla Pass, the Lower Beskid Mountains. In: J. Machnik (Ed.) *Archaeology and Natural Background of the Lower Beskid Mountains, Carpathians, part I. Prace Komisji Prehistorii Karpat PAU 2*: 171-182.

Szmyt M.

- 1996 Globular Amphora Culture in Eastern Europe. Present state of research and possibilities for future studies. In A. Koško (Ed.) *Eastern Exodus of the Globular Amphora People: 2950-2350 BC. BPS 4*: 3-27.
- 1999 Between West and East. People of the Globular Amphora Culture in Eastern Europe: 2950 - 2350 BC. *BPS 8*.

Szmyt M., I.T. Chernyakov

- 1999 Radiocarbon chronology of "Akkembetskiy kurgan", a preliminary report. In: A. Koško (Ed.) *The Foundations of Radiocarbon Chronology of Cultures between the Vistula and Dnieper: 3150-1850BC. BPS 7*: 196-202.
- 2000 In the Far Reaches of Two Worlds. On the study of contacts between the societies of the Globular Amphora and Yamnaya cultures. In: S. Kadrow (Ed.) *A Turning of Ages / Im Wandel der Zeiten. Jubilee book dedicated to Professor Jan Machnik on his 70th Anniversary*, 443-466. Kraków.

Ścibior J.

- 1994 Kultury późnego Tripolya i voronkovidnykh sosudov na Volini. *Arkheologiya 4*: 30-47.

Ścibior J.M., J. Ścibior

- 1990 Obiekt schyłkowej (łódzkiej) fazy kultury trzcinieckiej w Dwikozach, woj. Tarnobrzeg. *SPA 41*: 95-124.

Ślusarska K.

- 2002 Nowe dane do chronologii cmentarzyska kurhanowego w Hordeevce. In: *Drevneyshye obshchnosti zemledelcev i skotovodov Severnogo Prichernomorya (V tys. do n.e. - V vek n.e.)*, 184-185. Tiraspol.
- 2003 Wschodnioeuropejska odnoga w systemie szlaków bursztynowych w późnej epoce brązu w świetle najnowszych odkryć w strefie północnego Pontu. In: *Problemy baltiyskoy arkheologii, Terra baltica 2*:66-84. Kaliningrad.

Taras H.

- 1995 *Kultura trzciniecka w międzyrzeczu Wisły, Bugu i Sanu*. Lublin.

Taras H., N. Kovalyukh, V. Skripkin

- 2002 Dating of the grave complex in Dacharzów, Małopolska. *Geochronometria 21*: 157-162.

Tatarinov S.I.

- 1979 Metalloobrabotka v epokhu pozdney bronzy na Srednem Dontse. *SA 4*: 258-265.

Telegin D.Y.

- 1973 *Serednio-stogivska kultura epokhi midi*. Kiev.
- 1977 Ob absolyutnom vozraste yamnoy kultury i nekotorye voprosy khronologii eneolita yuga Ukrainy. *SA* 2: 12-19.
- 1985 Radiokarbonne i arkheomagnetne datuvannya trypils'koy kultury. *Arkheologiya* 51: 10-22.
- 1992a Ob absolyutnom vozraste katakombnoy kultury po radiouglerodnym opredeleniyam. In: *Novye otkrytya i metodologicheskie osnovy arkheologicheskoy khronologii*, 68-73. Sankt Petersburg.
- 1992b Osnovni periody istorychnogo rozvytku naselennya terytorii Ukrainy u 5-pershiy polovyni 4 tys. do n.e. *Arkheologiya* 4: 3-11.
- 1993 Osnovni periody istorychnogo rozvytku naselennya terytorii Ukrainy u 5-pershiy polovyni 4 tys. do n.e. *Arkheologiya* 1: 15-24.

Telegin D.Y., S.N. Bratchenko, S.V. Smirnov

- 1977 Vilno-Grushevskaya kurgannaya gruppa i kurgan na territorii Zaporozhskoy opyt'noy selskokhozyaystvennoy stantsii. In: *Vilnyanskiye kurgany v Dneprovskom Nadporozhe*, 97-126. Kiev.

Telegin D.Y., A.L. Nechitaylo, I.D. Potekhina, Y.V. Panchenko

- 2001 *Srednostogovskaya i novodanilovskaya kultura eneolita azovo-chernomorskogo rayona*. Luhansk.

Telegin D. Y., E.V. Sobotovich, N.N. Kovalyuch

- 1978 Radiouglerodnoye datirovanie arkheologicheskikh materialov. In: *Ispolzovanie metodov estestvennykh nauk v arkheologii*, 55-61. Kiev.
- 1981 Ob absolyutnom vozraste pamyatnikov arkheologii Ukrainy i nekotorykh smezhnykh territoriy po dannym radiokarbonnykh analizov. In: *Ispolzovanie metodov estestvennykh nauk v arkheologii*, 78-84. Kiev.

Terenozhkin O.

- 1965 Osnovy khronologii predskifskogo perioda. *SA* 1: 63-85.
- 1976 *Kimmeriytsy*. Kiev

Teslenko D.L.

- 1999a Periodizatsiya yamnykh pokhovan Dniprovskogo Nadporizhya. In: *Problemy arkheologii Podniprovyia*, 82-97. Dnipropetrovsk.
- 1999b *Yamna kultura Dniprovskogo Nadporizhya ta Pravoberezhnogo Peredstepu (analiz pokhoval'nogo obryadu)*. Avtoreferat dissertatsii kandata istoricheskikh nauk. Kiev.
- 2000a Kremyani vyroby z pokhovan yamnoy kultury Dniprovskogo Pravoberezhya. In: *Visnyk Dnipropetrovskogo derzhavnogo universytetu. Istoriya ta arkheologiya*, 148-154. Dnipropetrovsk.
- 2000b O nakhodkakh repovidnoy keramiki v pogrebeniyakh epokhi ranney bronzy Podneprovyia. In: *Vzaimodeystvie i razvite drevnikh kultur pogranicha Evropy i Azii*, 45-47. Saratov.

Tkachuk T.

- 2000 The Koshylivtsy group as synthesis of the Tripolye and Polgar traditions. In: A. Koško (Ed.) *The Western Border Area of the Tripolye Culture*. BPS 9: 69-85.

Toshchev G.N.

- 1984 Pamyatniki belozerskogo perioda u s. Strumok Odesskoy oblasti. In: *Ranniy zhelezniy vek Severo-Zapadnogo Prichernomorya*, 24-32. Kiev.
- 1996 Cultura catacomelor si contactele ei in partea de vest arealului. *Thracodacica* 19, 1-2: 51-69. Bucuresti.

Trifonov V.A.

- 1991 Baturinskiy variant predkavkazskoy katakombnoy kultury. In: *Katakombnye kultury Severnogo Prichernomorya*, 101-116. Kiev.
- 1996 Popravki k absolyutnoy khronologii kultur epokhi eneolita – bronzy Severnogo Kavkaza. In: *Mezhdue Azey i Evropy. Kavkaz v IV - I tys. do n. e.*, 40-50. Sankt Petersburg.
- 2001 Popravki k absolyutnoy khronologii kultur epokhi eneolita – sredney bronzy Kavkaza, stepnoy, lesostepnoy zon Vostochnoy Evropy (po dannym radiouglerodnogo datirovaniya). In: *Bronzoviy vek Vostochnoy Evropy: kharakteristika kultur, khronologiya i periodizatsiya*, 56-59. Samara.

Turetskiy M.L.

- 2001 O periodizatsii i khronologii yamnykh pamyatnikov Samarskogo Povolzhya. In: *Bronzoviy vek Vostochnoy Evropy: kharakteristika kultur, khronologiya i periodizatsiya*, 60-63. Samara.

Uzarowicz-Chmielewska A.

- 1979 Jamy neolityczne datowane radioweglem z osady w Stryczowicach, woj. kieleckie. *WA* 44 (2): 131-143.
- 1989 Lengyel and Funnel Beaker Cultures, South-Eastern Group Stryczowice woj. Kielce, Sites 1 and 1B, Settlements. *PA* 36: 227-237.

Valde-Nowak P.

- 2001 Settlement site of the Corded Ware Culture in Lubiša-Merava, Slovakia. In: J. Machnik (Ed.) *Archaeology and Natural Background of the Lower Beskid Mountains, Carpathians, part I. Prace Komisji Prehistorii Karpat PAU* 2: 67-85.

Valde-Nowak P., I. Strakošova

- 2001 Homestead stone procesing site of the Corded Ware Culture at Brester-Dielňa within the Ondavo-Upland, Slovakia. In: J. Machnik (Ed.) *Archaeology and Natural Background of the Lower Beskid Mountains, Carpathians, part I. Prace Komisji Prehistorii Karpat PAU* 2: 57-68.

Vanchugov V.P.

- 1990 *Belozerskie pamyatniki v Severo-Zapadnom Prichernomore*. Kiev.

Vasilev I.B., A.T. Sinyuk

1985 *Neolit Vostochno-Evropeyskoy lesostepi*. Kuybyshev.

Videiko M.Y.

1997 Rozkopki trypilskiego poselennya v ur. Hatyshche na Kanivshchyni. In: *Arkheologichni doslidzhennya v Ukraini 1993 roku*, 45-46. Kiev.

1998 Doslidzhennya trypilskich poselen bilya s. Grygorivka na Dnipri. In: *Pereyaslavska zemlya i svit ludyny*, 12-15. Kiev - Pereyaslav-Khmelniyskiy.

1999 Radiocarbon dating chronology of the Late Tripolye culture. In: A. Koško (Ed.) *The Foundations of Radiocarbon Chronology of Cultures between the Vistula and Dnieper: 3150-1850 BC*. *BPS* 7: 34-71

2000 Tripolye and the Cultures of Central Europe: Facts and Character of Interactions: 4200-2750 BC. In: A. Koško (Ed.) *The Western Border Area of the Tripolye Culture*. *BPS* 9: 13-68.

2001 Tripole i neolitieskie obshchestva na Srednem Dnepre: voprosy vzaimodeystviya. In: J. Czebreszuk, M. Kryvalcevič, P. Makarowicz (Eds) *Od neolityzacji do początków epoki brązu. Przemiany kulturowe w międzyrzeczu Odry i Dniepru między VI i II tys, przed Chr.* *Archaeologia Bimaris* 2: 215-230. Poznań.

Videiko M., N.B. Burdo

1977 Rozkopki trypilskiego poselennya Ignatenkova Gora bilya s. Grygorivka na Dnipri. In: *Arkheologichni doslidzhennya v Ukraini 1993 roku*, 46-47. Kiev

Vyazmitina V.O., V.A. Illinska

1960 Kurgany bilya s. Novopilipivky ta radgospu "Akkermen". *Arkheologichni Pamyatki URSR* 8: 22-135.

Wacnik A.

1999 Antropologiczne przekształcenie lokalnej szaty roślinnej w okolicy Regatovki (północno-wschodnia Słowacja) w świetle analizy pyłkowej. In: K. Wasylikowa (Ed.) *Rośliny w dawnej gospodarce człowieka. Warsztaty Archeobotaniczne 97, Polish Botanical Studies, Guidebook Series* 23: 127-137.

2001 Late-Holocene history of the vegetation changes based on the pollen analysis of the deposits at Kružlova, Slovakia. In: J. Machnik (Ed.) *Archaeology and Natural Background of the Lower Beskid Mountains, Carpathians, part I. Prace Komisji Prehistorii Karpat PAU* 2: 127-135.

Wechler P.

1994 Zur Chronologie der Tripolje-Cucuteni-Kultur aufgrund von ¹⁴C Datierungen. *Zeitschrift für Archäologie* 28(1): 7-21.

Weninger B.

1986 High-Precision Calibration of Archaeological Radiocarbon Dates. *Acta Interdisciplinaria Archaeologica* 4: 11-53.

1993 *Radiocarbon Calibration <calKN. April 1993, Dendro and Archaeological Wiggle Matching*. Cologne.

- 1997 *Studien zur dendrochronologischen Kalibration von archäologischen 14C – Daten*. Bonn.
- Weninger B., O. Jöris, U. Danzeglocke
2002 *Cologne Radiocarbon Calibration & Palaeoclimate Research Package “CalPal_A”*.
- Wiślański T.
1966 *Kultura amfor kulistych w Polsce północno-zachodniej*. Wrocław-Warszawa-Kraków.
1979 Kształtowanie się miejscowych kultur rolniczo-hodowlanych. Plemiona kultury pucharów lejkowatych, In: W. Hensel, T. Wiślański (Ed.) *PZP* 2: 165-260.
- Włodarczak P.
1998a Chronologia absolutna grupy krakowsko-sandomierskiej kultury ceramiki sznurowej na podstawie danych z cmentarzyska w Żernikach Górnych. *SPA* 50: 31-54.
1998b Groby kultury mierzanowickiej oraz kultury trzcinieckiej z Żernik Górnych. In: A. Koško, J. Czebreszuk (Eds) „*Trzciniec*” – system kulturowy czy interkulturowy proces?, 161-177. Poznań.
2001 The Absolute Chronology of the Corded Ware Culture in South-eastern Poland. In: J. Czebreszuk, J. Müller (Eds), *Die absolute Chronology in Mitteleuropa 3000-2000 v. Chr.*, 103-129. Poznań-Bamberg-Rahden/Westf.
- Yarovoy E.V.
1990 *Kurgany epokhi eneolita-bronzy Nizhnego Podnestrovya*. Kishinev.
2000 *Skotovodcheskoe naselenie Severo-Zapadnogo Prichernomorja epokhi ranego metalla*. Avtoreferat dissertatsii dokora istoricheskikh nauk. Moskva.
- Yazepenka I.
1994 Da pytanya ab interpretatsyi materyalu nealitychnykh poseleshchau belaruskago Podnyprovyia. *Gistarychna-arkhealagichny zbornik* 3: 10-26.
- Zakharuk Y.
1955 Poselenie eneoliticheskogo vremeni v s. Zimne Volynskoy oblasti. *KSIIA AN USSR* 4: 114-115.
- Zakościelna A.
1981 Wąwolnica, gm. Loco, woj. lubelskie. *Sprawozdania z badań terenowych Zakładu Archeologii UMCS i Archeologicznego Ośrodka Badawczo-Konserwatorskiego w Lublinie w 1981 r.*, 5-7. Lublin.
1984 Las Stocki, stan. 7, gm. Końskowola, woj. lubelskie. *Sprawozdania z badań terenowych Zakładu Archeologii UMCS i Archeologicznego Ośrodka Badawczo-Konserwatorskiego w Lublinie w 1984 r.*, 3-6. Lublin.
1986 Z badań osady kultury wołyńsko-lubelskiej ceramiki malowanej w Lesie Stockim, stan. 7, gm. Końskowola. *SPA* 38: 31-48.

- 1997 Badania cmentarzyska kultury wołyńsko-lubelskiej ceramiki malowanej na stanowisku 26 w Strzyżowie, woj. zamojskie. *APS* 2: 11-15.

Zakościelna A., Gurba J.

- 1996 Badania cmentarzyska kultury wołyńsko-lubelskiej ceramiki malowanej na Grzędzie Sokalskiej. *APS* 1: 9-16.

Zastawny A.

- 2001 Naczynia kultury ceramiki sznurowej typu Książnice Wielkie z Kryspinowa, stan. 2, pow. krakowski. *SPA* 53: 207-230.

Zbenovich V.H.

- 1974 Pozdnetripolskie plemena Severnogo Prichernomorya. Kyiv.

Zervos C.

- 1957 *L'art de Cyclades*. Paris.

Zimmer S.

- 1990 On Indo-Europeanization. *JIES* 18: 141-155.

LIST OF AUTHORS

Stanislav N. Bratchenko
Institute of Archaeology
National Academy of Sciences of Ukraine
Heroyiv Stalingrada 12
254655 Kiev
Ukraine

Andrzej Bronicki
District Museum of Chełm
Lubelska 55
22-100 Chełm
Poland

Ludmila A. Chernykh
Institute of Archaeology
National Academy of Sciences of Ukraine
Heroyiv Stalingrada 12
254655 Kiev
Ukraine

Jacek Górski
Archaeological Museum of Nowa Huta
Os. Zielone 7
31-968 Kraków-Nowa Huta
Poland
E-mail: jgorski@ma.krakow.pl

Marcin Ignaczak
Institute of Prehistory
Adam Mickiewicz University
Św. Marcin 78
61-809 Poznań
Poland
E-mail: ignaczak@amu.edu.pl

Sławomir Kadrow
Institute of Archaeology and Ethnology
Polish Academy of Sciences
Sławkowska 17
31-016 Kraków
Poland
E-mail: slawek@archo.pan.krakow.pl

Viktor I. Klochko
Institute of Monument Preservation
and Research
Ministry of Culture and Art of Ukraine
Petropavlovska 15
04086 Kiev
Ukraine
E-mail: vklochko@ukr.net

Aleksander Koško
Institute of Prehistory
Adam Mickiewicz University
Św. Marcin 78
61-809 Poznań
Poland
E-mail: antokol@amu.edu.pl

Nadezhda S. Kotova
Institute of Archaeology
National Academy of Sciences of Ukraine
Heroyiv Stalingrada 12
254655 Kiev
Ukraine
E-mail: kotova@i.com.ua

Nikolay N. Kovalyukh
Department of Environmental
Radiogeochemistry
Institute of Geochemistry and Physics
of Minerals
National Academy of Sciences of Ukraine
Palladina Av. 34
25142 Kiev
Ukraine

Sergey D. Lysenko
Institute of Archaeology
National Academy of Sciences of Ukraine
Heroyiv Stalingrada 12
254655 Kiev
Ukraine

Jan Machnik
Institute of Archaeology and Ethnology
Polish Academy of Sciences
Sławkowska 17
31-016 Kraków
Poland

Przemysław Makarowicz
Institute of Prehistory
Adam Mickiewicz University
Św. Marcin 78
61-809 Poznań
Poland
E-mail: przemom@amu.edu.pl

Virgil Mihăilescu-Bîrliba
 Institutul de Arheologie Iași
 Str. Lascar Catargiu, 18
 6600 Iași
 Romania
 E-mail: lvmb@mail.dntis.ro

Vitaliy V. Otroshchenko
 Institute of Archaeology
 National Academy of Sciences of Ukraine
 Heroyiv Stalingrada 12
 254655 Kiev
 Ukraine

Vladislav H. Petrenko
 State Archaeological Museum of Odesa
 Lanzheronivska 4
 65480 Odesa
 Ukraine

Sergey V. Polin
 Institute of Archaeology
 National Academy of Sciences of Ukraine
 Heroyiv Stalingrada 12
 254655 Kiev
 Ukraine

Sergey Z. Pustovalov
 Institute of Archaeology
 National Academy of Sciences of Ukraine
 Heroyiv Stalingrada 12
 254655 Kiev
 Ukraine

Sergey N. Sanzharov
 East Ukrainian National University
 Molodiozhny 20a
 91034 Luhansk
 Ukraine

Larisa A. Spitsyna
 Institute of Archaeology
 National Academy of Sciences of Ukraine
 Heroyiv Stalingrada 12
 254655 Kiev
 Ukraine

Marzena Szmyt
 Institute for Eastern Studies
 Adam Mickiewicz University
 28 Czerwca 1956, 198
 61-486 Poznań
 Poland
 E-mail: marzena@amu.edu.pl

Katarzyna Ślusarska-Michalik
 Institute of Prehistory
 Adam Mickiewicz University
 Św. Marcin 78
 61-809 Poznań
 Poland
 E-mail: kasia.s@amu.edu.pl

Dmitriy Y. Telegin
 Institute of Archaeology
 National Academy of Sciences of Ukraine
 Heroyiv Stalingrada 12
 254655 Kiev
 Ukraine

Mikhailo Y. Videiko
 Institute of Archaeology
 National Academy of Sciences of Ukraine
 Heroyiv Stalingrada 12
 254655 Kiev
 Ukraine
 E-mail: videiko@i.com.ua

Igor Yazepenko
 Institute of History
 National Academy of Sciences of Belarus
 Bulvar Akademicheskij 1
 Minsk 220072
 Belarus

Anna Zakościelna
 Chair of Archaeology
 Maria Curie-Skłodowska University
 M. Curie-Skłodowskiej 4
 20-029 Lublin
 Poland E-mail: anzak@klio.umcs.lublin.pl

- Vol.1: *Weapons of the Tribes of the Northern Pontic Zone in the 16th–10th Centuries B.C.*, by Viktor I. Klochko.
- Vol.2: *Nomadism and Pastoralism in the Circle of Baltic–Pontic Early Agrarian Cultures: 5000–1650 BC*, edited by Aleksander Koško
- Vol.3: *Cemeteries of the Sofievka type: 2950–2750 BC*, edited by Aleksander Koško
- Vol.4: *Eastern Exodus of the Globular Amphora People: 2950 - 2350 BC*, edited by Aleksander Koško.
- Vol.5: *Beyond Balkanization*, edited by Lucyna Domańska, Ken Jacobs and Aleksander Koško.
- Vol.6: *The Trzciniec Area of the Early Bronze Age Civilization: 1950–1200 BC*, edited by Aleksander Koško.
- Vol.7: *The Foundations of Radiocarbon Chronology of Cultures Between the Vistula and Dnieper: 3150–1850 BC*, edited by Aleksander Koško.
- Vol.8: *Between West And East People of The Globular Amphora Culture in Eastern Europe: 2950-2350 BC*, by Marzena Szmyt.
- Vol.9: *The Western Border Area of the Tripolye Culture*, edited by Aleksander Koško.
- Vol.10: *Weaponry of Societies of the Northern Pontic Culture Circle: 5000-700 BC*, by Viktor I. Klochko.
- Vol.11: *Fluted Maces in the System of Long-Distance Exchange Trails of the Bronze Age: 2350-800 BC*, edited by Aleksander Koško.

| |
|--|
| <p>Orders regarding B-PS should be addressed directly to the Editorial Office (Baltic-Pontic Studies, Institute of Prehistory, Św. Marcin 78, 61-809 Poznań, Poland). E-mail: iplib@amu.edu.pl</p> |
|--|

The publication is carried out within the research project No. 5H01H02121 financed in the years 2001-2004 by Committee for Scientific Research and supplied with funds of Ministry of National Education and Sport (DWB'2003) and Adam Mickiewicz University Foundation.

ISBN 83-86094-11-7
ISSN 1231-0344